

F

E

D

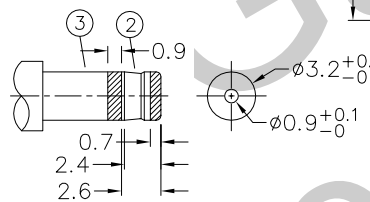
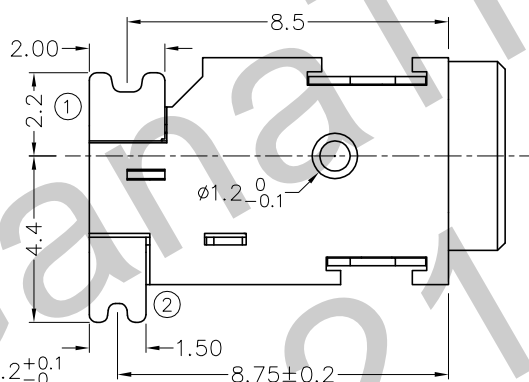
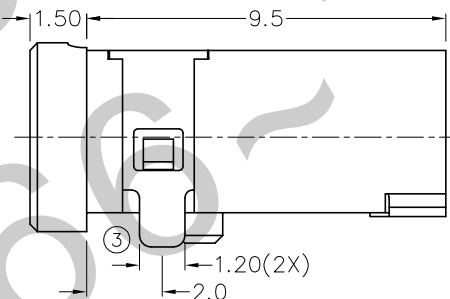
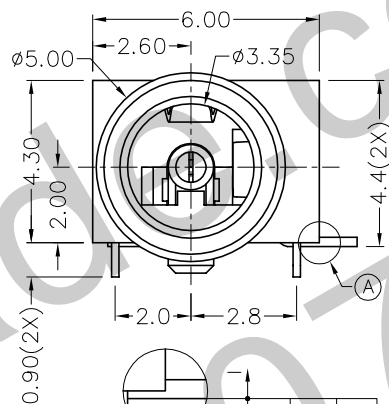
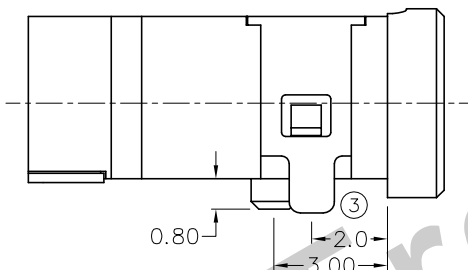
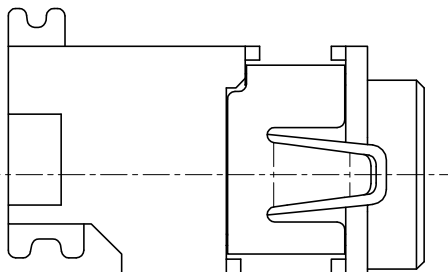
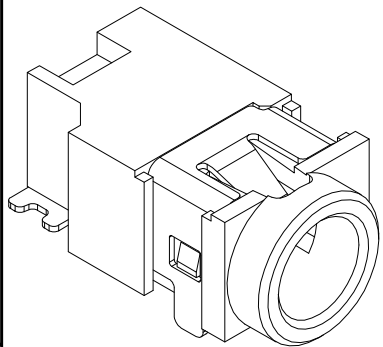
C

B

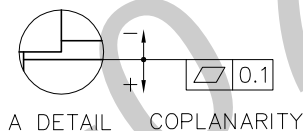
A

ZONE	SYMBOL	REVISION	APPROVAL	DATE

RoHS  
Compliant



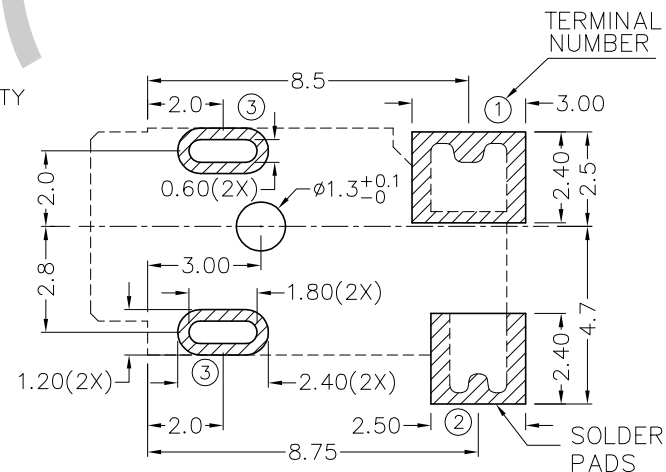
DC MATE PLUG



\* MATERIAL

TERMINAL 1 : BRASS  
TERMINAL 2 : COPPER ALLOY  
TERMINAL 3 : COPPER ALLOY  
HOUSING : PA6T

MODEL NO.	TDC-072D
SCHMATIC	
CENTER PIN	ø0.8mm



RECOMMENDED  
SOLDER PAD LAYOUT



TECHNIK INDUSTRIAL CO.LTD.

DESIGN	G.P.YI	DATE	24-8-2007	SCALE	5:1
DRAWING	T.Y.LI	DATE	13-3-2009	MATERIAL	*
CHECK		DATE		DWG. NO.	TZ\DC072D-PA6T/A
APPROVAL		DATE		SHEET	

PART NAME	SMD DC POWER SOCKET	TOLERANCE UNLESS	0.0±0.15	UNIT:	
PART NO.	TDC-072D	OTHERWISE SPECIFIED:	0.00±0.1 0.000±0.05	mm	

F

E

D

C

B

A