

F

E

D

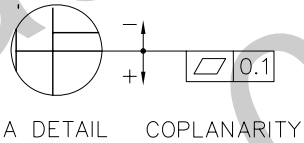
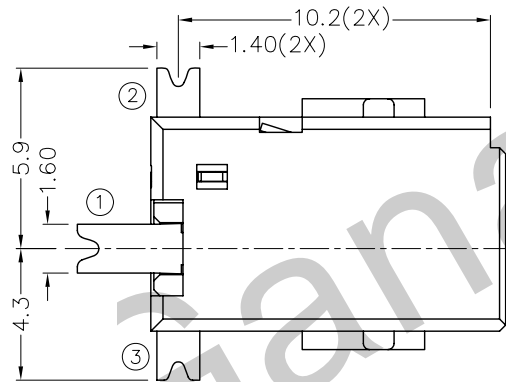
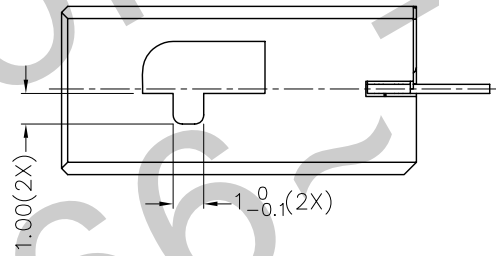
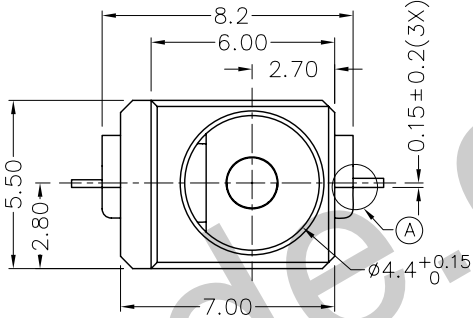
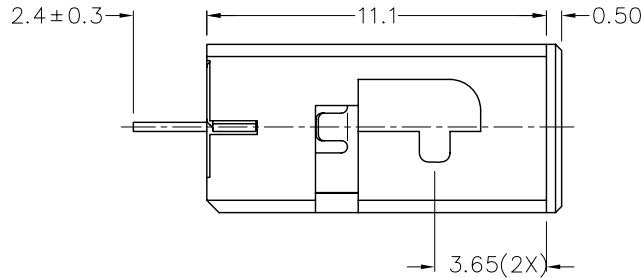
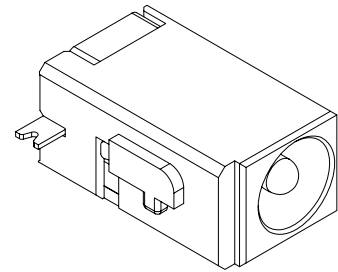
C

B

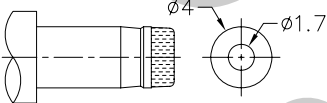
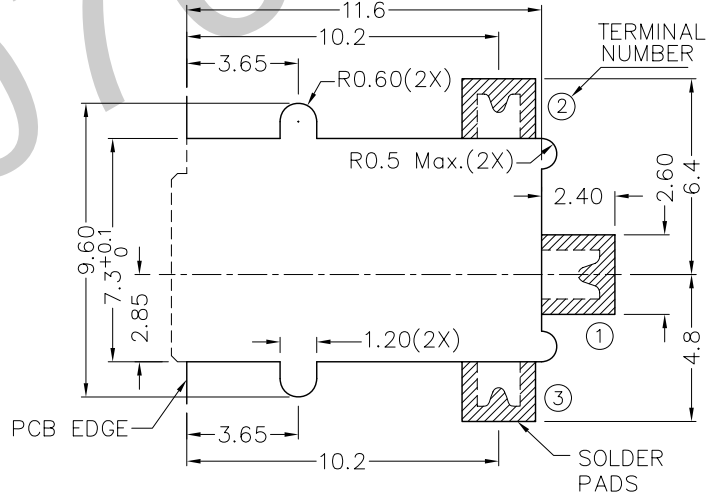
A

ZONE	SYMBOL	REVISION	APPROVAL	DATE

RoHS
Compliant



*** MATERIAL**
 TERMINAL 1 : BRASS
 TERMINAL 2 : COPPER ALLOY
 TERMINAL 3 : BRASS
 HOUSING : PA6T



DC MATE PLUG

MODEL NO.	TDC-095DH
SCHEMATIC	1, 2, 3
CENTER PIN	$\phi 1.65\text{mm}$

RECOMMENDED
SOLDER PAD LAYOUT
(TOP VIEW)



TECHNIK INDUSTRIAL CO. LTD.

DESIGN	J.CHEN	DATE	23-8-2011	SCALE	4:1
DRAWING	J.CHEN	DATE	23-8-2011	MATERIAL	*
CHECK		DATE		DWG. NO.	TZ\DC095DH-PA6T/A
APPROVAL		DATE		SHEET	

PART NAME	HIGH CURRENT SMD DC POWER SOCKET	TOLERANCE UNLESS	0.0±0.2	UNIT:	
PART NO.	TDC-095DH	OTHERWISE SPECIFIED:	0.00±0.1 0.000±0.05	mm	

F

E

D

C

B

A