

F

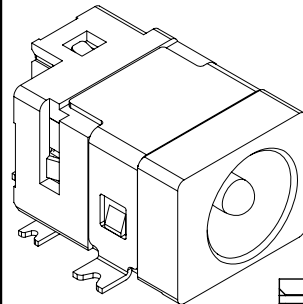
E

D

C

B

A

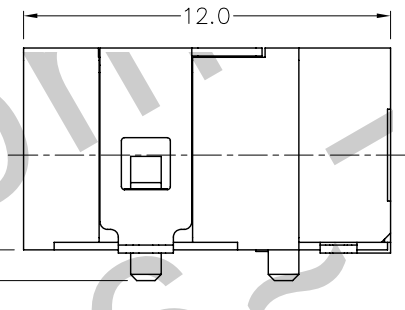
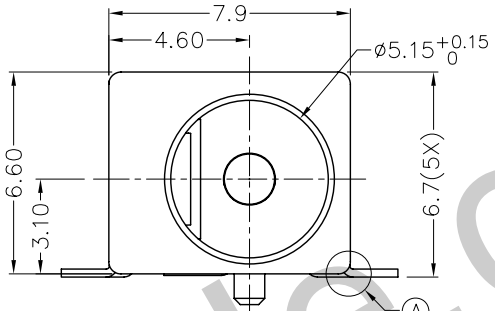
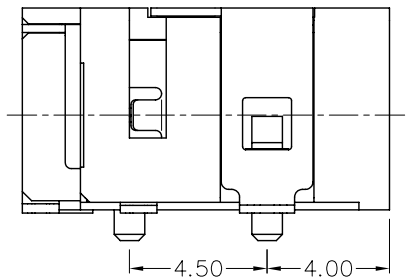


RoHS
Compliant

ZONE	SYMBOL	REVISION	APPROVAL	DATE

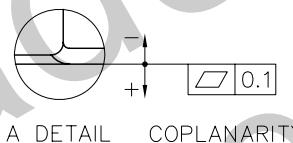
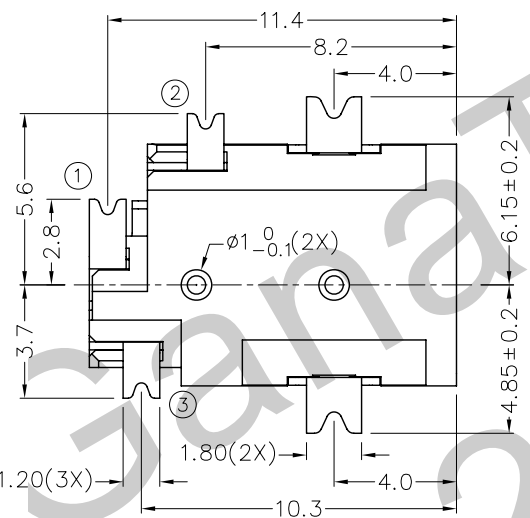
1

1



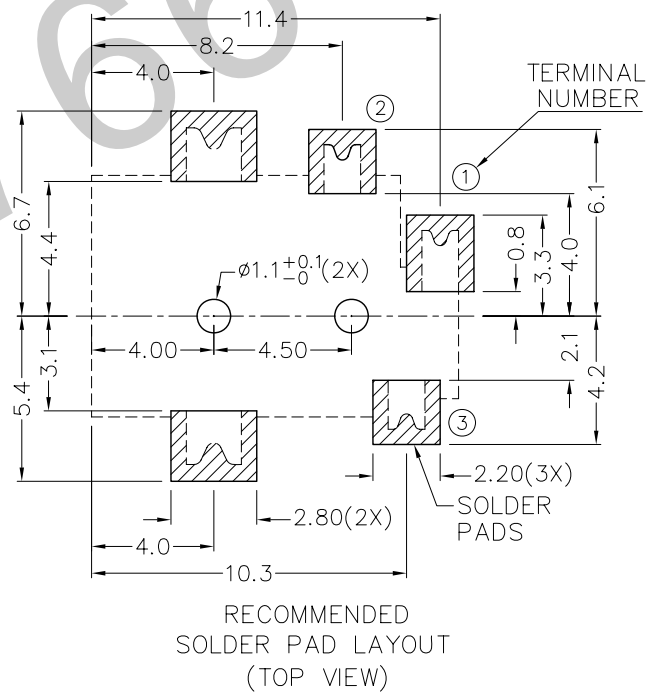
2

2



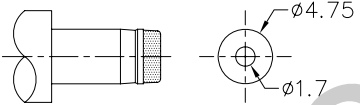
* MATERIAL

- TERMINAL 1 : BRASS
- TERMINAL 2 : COPPER ALLOY
- TERMINAL 3 : BRASS
- SHIELD : BRASS
- HOUSING : PA6T



3

3



DC MATE PLUG

MODEL NO.	TDC-096DHS
SCHEMATIC	
CENTER PIN	$\phi 1.65\text{mm}$

4

4



TECHNIK INDUSTRIAL CO. LTD.

DESIGN	J.CHEN	DATE	16-9-2011	SCALE	4:1
DRAWING	J.CHEN	DATE	16-9-2011	MATERIAL	*
CHECK		DATE		DWG. NO.	TZ\DC096DHS-PA6T/A
APPROVAL		DATE		SHEET	

PART NAME	HIGH CURRENT SMD DC POWER SOCKET	TOLERANCE UNLESS	0.0±0.2	UNIT:	
PART NO.	TDC-096DHS	OTHERWISE SPECIFIED:	0.00±0.1 0.000±0.05	mm	

F

E

D

C

B

A