

F

E

D

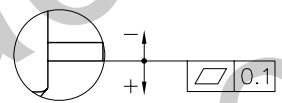
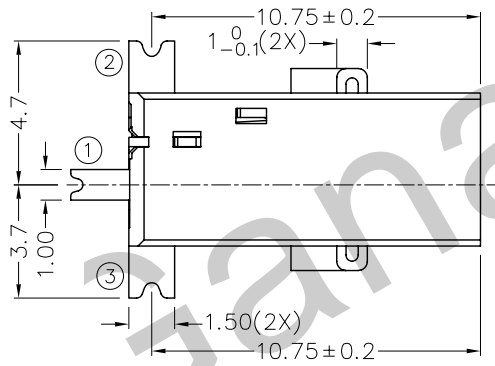
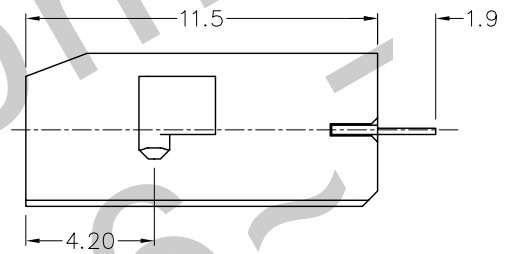
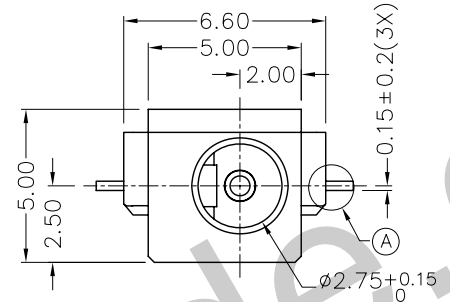
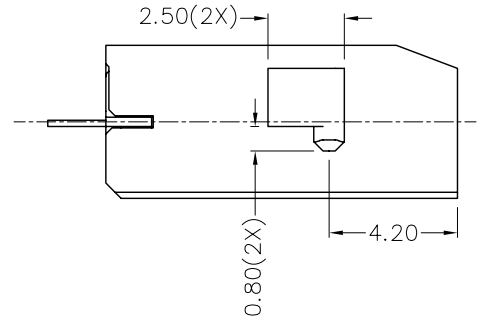
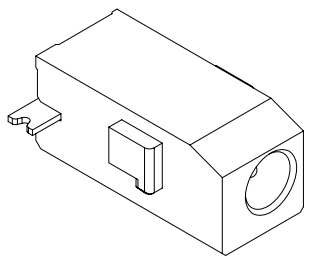
C

B

A

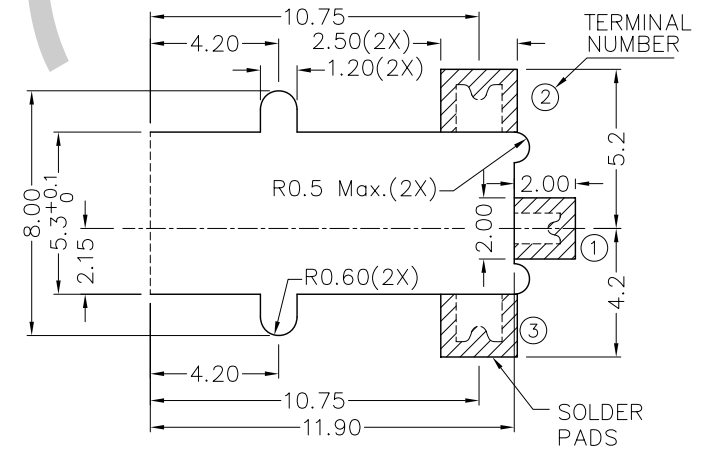
ZONE	SYMBOL	REVISION	APPROVAL	DATE

RoHS
Compliant

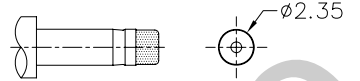


A DETAIL COPLANARITY

*** MATERIAL**
 TERMINAL 1 : BRASS
 TERMINAL 2 : COPPER ALLOY
 TERMINAL 3 : BRASS
 HOUSING : PA6T



RECOMMENDED
SOLDER PAD LAYOUT
(TOP VIEW)



DC MATE PLUG

MODEL NO.	TDC-097DH
SCHEMATIC	
CENTER PIN	$\phi 0.65\text{mm}$



TECHNIK INDUSTRIAL CO. LTD.

DESIGN	CH.XIONG	DATE	15-11-2011	SCALE	4:1
DRAWING	CH.XIONG	DATE	15-11-2011	MATERIAL	*
CHECK		DATE		DWG. NO.	TZ\DC097DH-PA6T/A
APPROVAL		DATE		SHEET	

PART NAME	HIGH CURRENT SMD DC POWER SOCKET	TOLERANCE UNLESS	0.0±0.2	UNIT:	mm
PART NO.	TDC-097DH	OTHERWISE SPECIFIED:	0.00±0.1 0.000±0.05		

F

E

D

C

B

A