

F

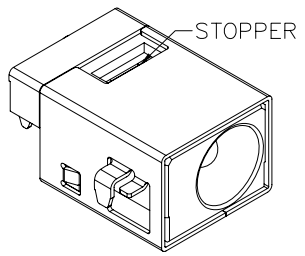
E

D

C

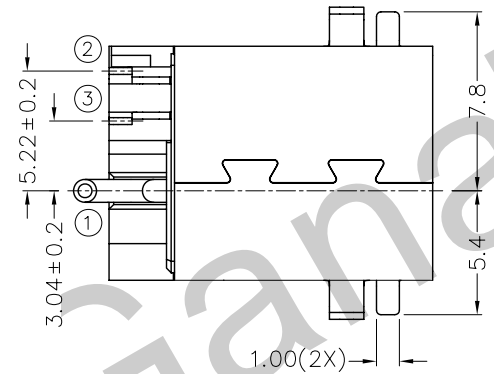
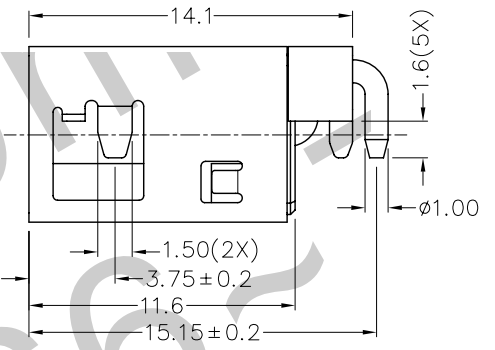
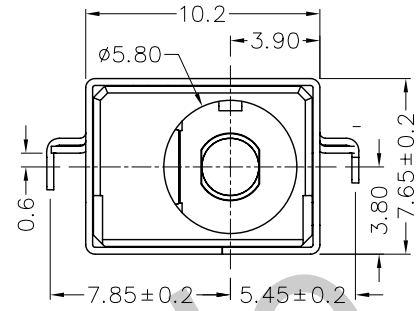
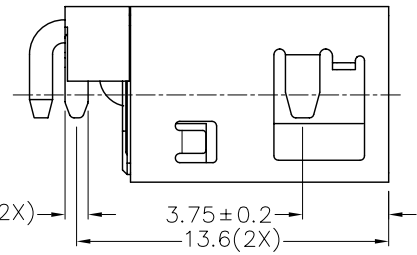
B

A



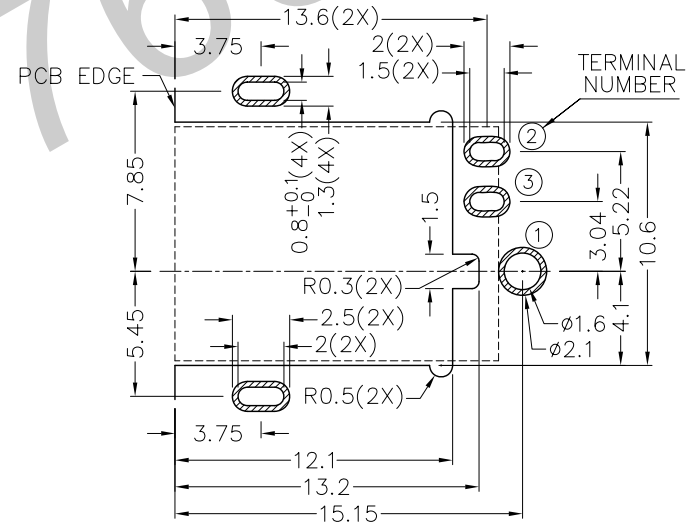
RoHS  
Compliant

ZONE	SYMBOL	REVISION	APPROVAL	DATE

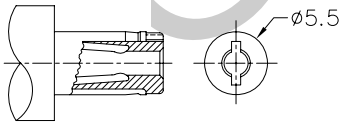


\* MATERIAL

- TERMINAL 1 : BRASS
- TERMINAL 2 : COPPER ALLOY
- TERMINAL 3 : BRASS
- SHIELD-A : BRASS
- SHIELD-B : STAINLESS STEEL
- STOPPER : C.R.STEEL
- HOUSING : PA6T



RECOMMENDED PCB LAYOUT  
TOLERANCE: ±0.05  
(TOP VIEW)



DC MATE PLUG

MODEL NO.	TDC-107DHS
SCHEMATIC	1 3 2
CENTER PIN	∅2.5mm



TECHNIK INDUSTRIAL CO.LTD.

DESIGN	CH.XIONG	DATE	15-10-2012	SCALE	3:1
DRAWING	CH.XIONG	DATE	25-1-2013	MATERIAL	*
CHECK		DATE		DWG. NO.	TZ\DC107DHS-PA6T/A
APPROVAL		DATE		SHEET	

PART NAME	HIGH CURRENT SMD DC POWER SOCKET	TOLERANCE UNLESS	0.0±0.2	UNIT:	
PART NO.	TDC-107DHS	OTHERWISE SPECIFIED:	0.00±0.1 0.000±0.05	mm	

F

E

D

C

B

A