

F

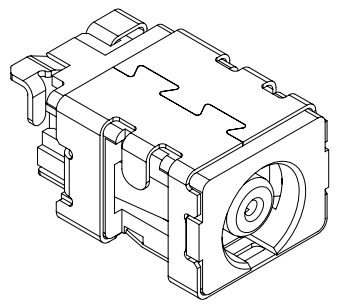
E

D

C

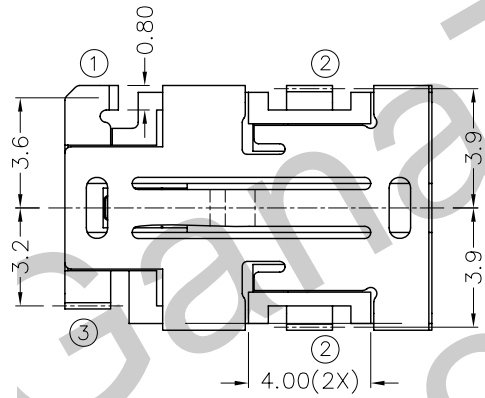
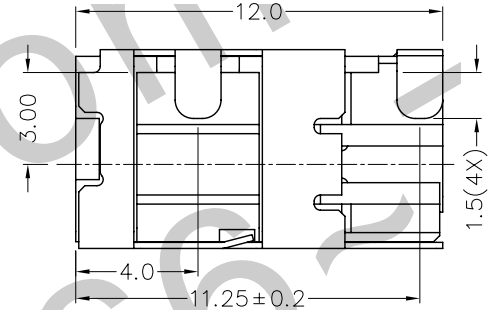
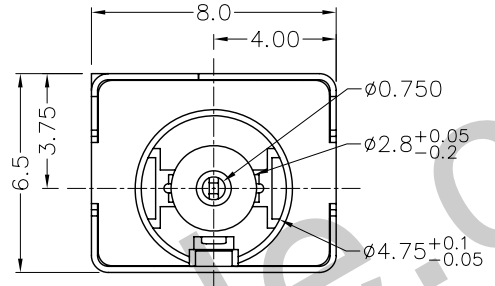
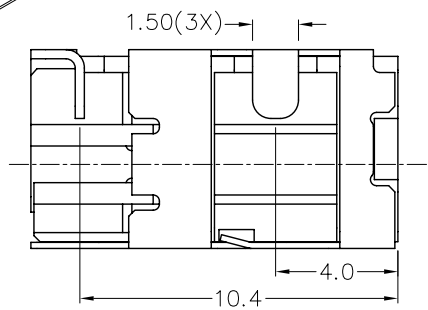
B

A



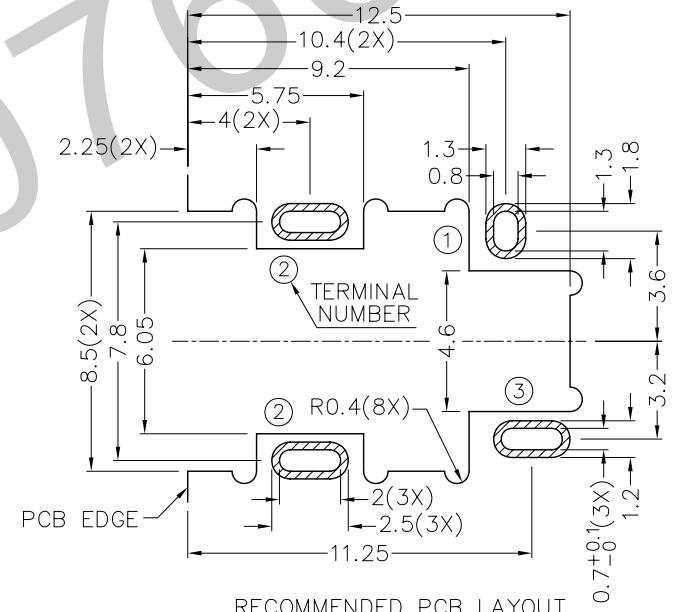
RoHS
Compliant

ZONE	SYMBOL	REVISION	APPROVAL	DATE

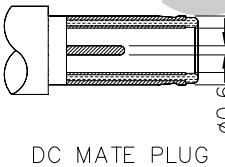


* MATERIAL
 TERMINAL 1 : COPPER ALLOY
 TERMINAL 2 : COPPER ALLOY
 TERMINAL 3 : COPPER ALLOY
 HOUSING : PA10T

MODEL NO.	TDC-108DH
SCHEMATIC	3(V+)
	1(S)
	2(V-)



RECOMMENDED PCB LAYOUT
 TOLERANCE: ±0.05
 (TOP VIEW)



DC MATE PLUG



TECHNIK INDUSTRIAL CO. LTD.

PART NAME	HIGH CURRENT SMD DC POWER SOCKET	TOLERANCE UNLESS	0.0±0.2	UNIT:	mm
PART NO.	TDC-108DH	OTHERWISE SPECIFIED:	0.00±0.1 0.000±0.05		

DESIGN	CH.XIONG	DATE	24-9-2012	SCALE	4:1
DRAWING	CH.XIONG	DATE	23-1-2013	MATERIAL	*
CHECK		DATE		DWG. NO.	TZ\DC108DH-PA10T/A
APPROVAL		DATE		SHEET	

F

E

D

C

B

A