

F

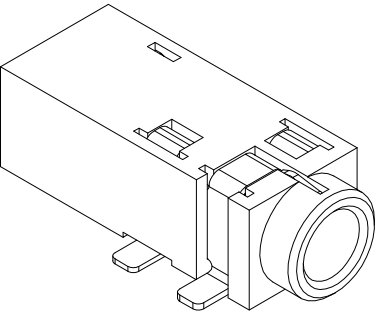
E

D

C

B

A

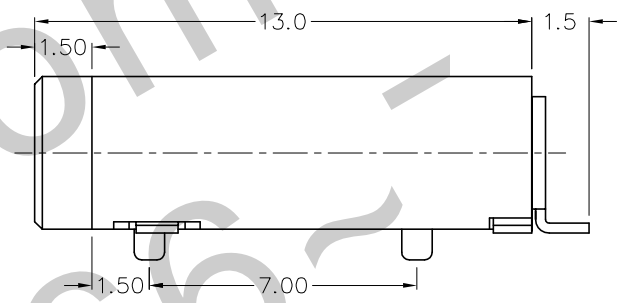
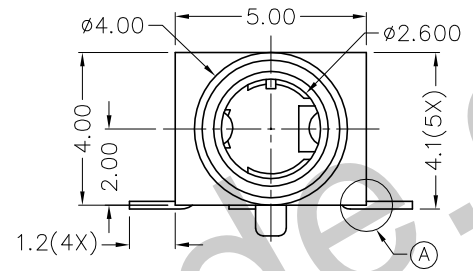
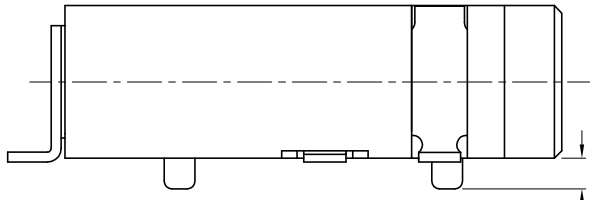


RoHS
Compliant

ZONE	SYMBOL	REVISION	APPROVAL	DATE
		ADDED INDICATION OF COPLANARITY	J.X.KUANG	22-12-2008

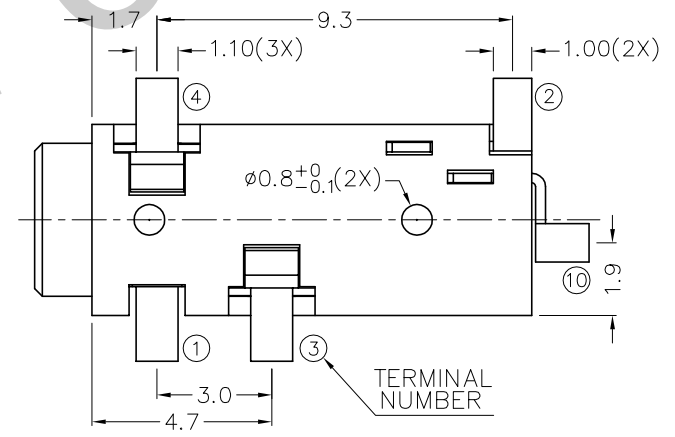
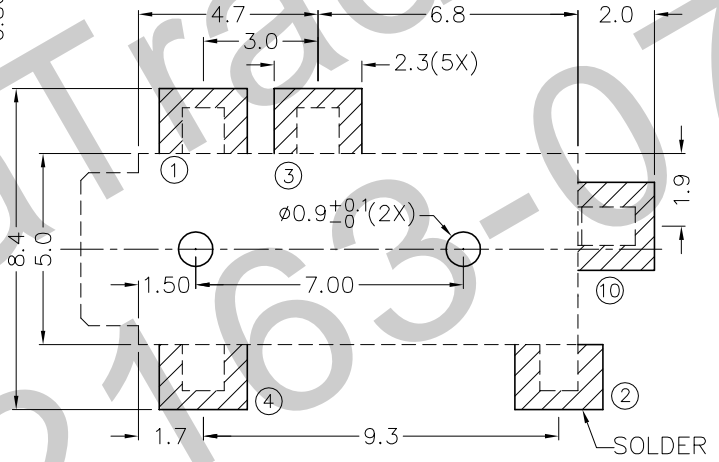
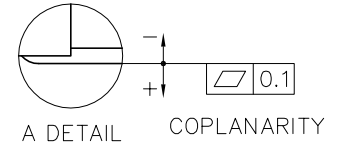
1

1



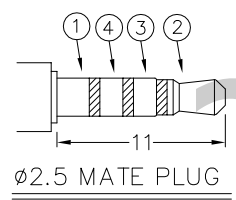
2

2



3

3



* MATERIAL
 TERMINAL 1 : COPPER ALLOY
 TERMINAL 2 : COPPER ALLOY
 TERMINAL 3 : COPPER ALLOY
 TERMINAL 4 : COPPER ALLOY
 TERMINAL 10 : BRASS
 HOUSING : PA6T

MODEL NO.	TG-2765D	TG-2764D	TG-2764AD
SCHEMATIC			

RECOMMENDED
SOLDER PAD LAYOUT



TECHNIK INDUSTRIAL CO. LTD.

DESIGN	J.X.KUANG	DATE	13-12-2003	SCALE	5:1
DRAWING	T.Y.LI	DATE	22-12-2008	MATERIAL	*
CHECK		DATE		DWG. NO.	TZ\TG276D-PA6T/D
APPROVAL		DATE		SHEET	

PART NAME	2.5mm SMD STEREO JACK	TOLERANCE UNLESS	0.0±0.2	UNIT:	mm
PART NO.	TG-276D	OTHERWISE SPECIFIED:	0.00±0.1 0.000±0.05		

F

E

D

C

B

A

4

4