

F

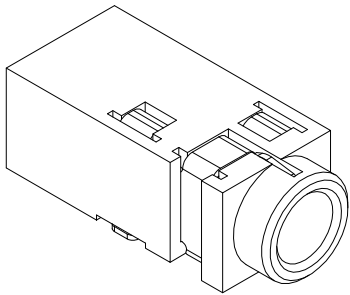
E

D

C

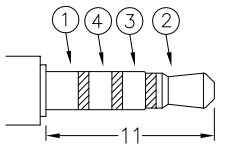
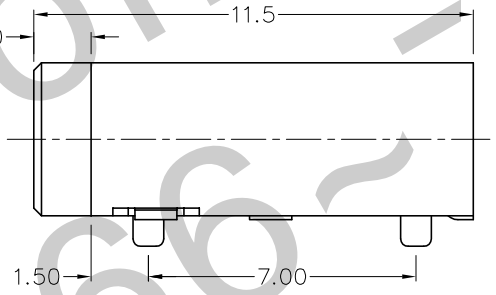
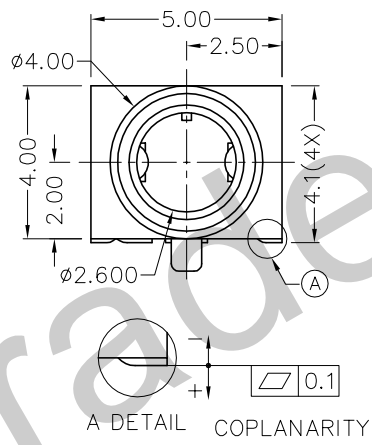
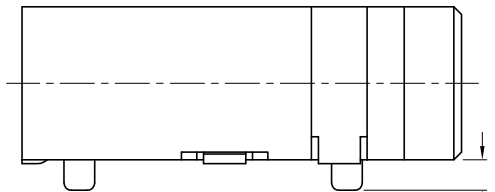
B

A



RoHS
Compliant

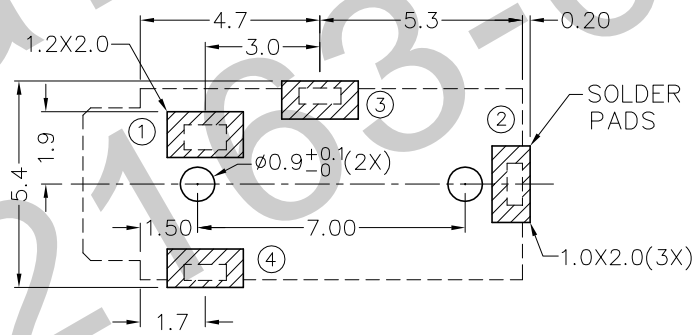
ZONE	SYMBOL	REVISION	APPROVAL	DATE
		ADDED INDICATION OF COPLANARITY	J.X.KUANG	22-12-2008



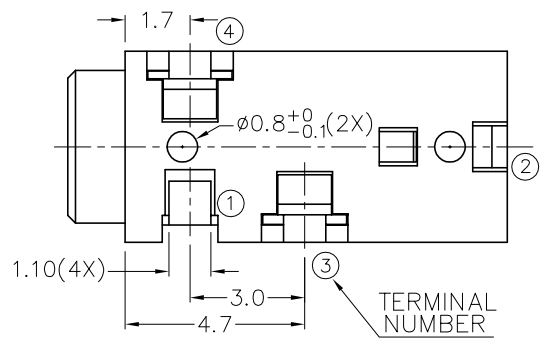
Ø2.5 MATE PLUG

* MATERIAL

- TERMINAL 1 : COPPER ALLOY
- TERMINAL 2 : COPPER ALLOY
- TERMINAL 3 : COPPER ALLOY
- TERMINAL 4 : COPPER ALLOY
- HOUSING : PA6T



RECOMMENDED
SOLDER PAD LAYOUT



MODEL NO.	TG-2784D	TG-2783D
SCHEMATIC		



TECHNIK INDUSTRIAL CO. LTD.

PART NAME	2.5mm SMD STEREO JACK	TOLERANCE UNLESS	0.0±0.2	UNIT:	mm
PART NO.	TG-278D	OTHERWISE SPECIFIED:	0.00±0.1 0.000±0.05		

DESIGN	J.X.KUANG	DATE	2-10-2003	SCALE	5:1
DRAWING	T.Y.LI	DATE	22-12-2008	MATERIAL	*
CHECK		DATE		DWG. NO.	TZ\TG278D-PA6T/C
APPROVAL		DATE		SHEET	

F

E

D

C

B

A