

F

E

D

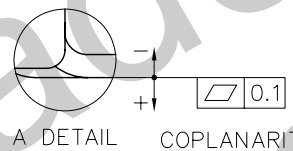
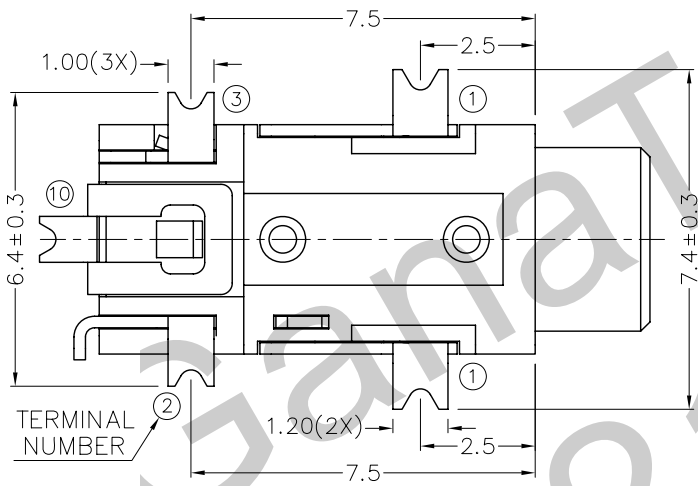
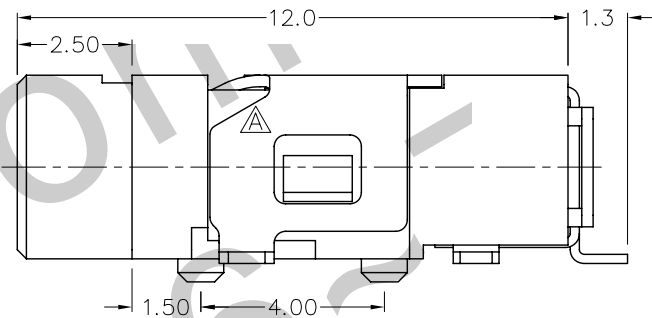
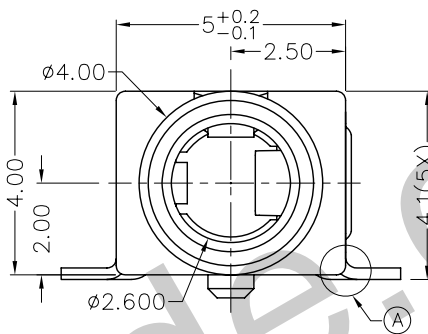
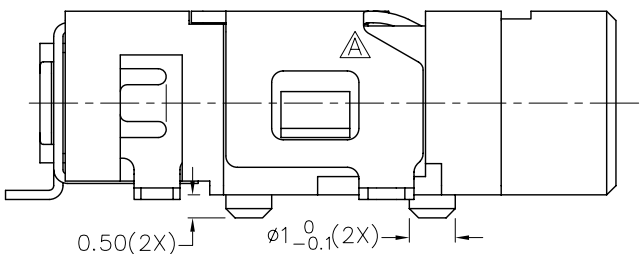
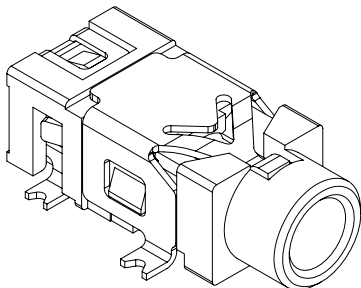
C

B

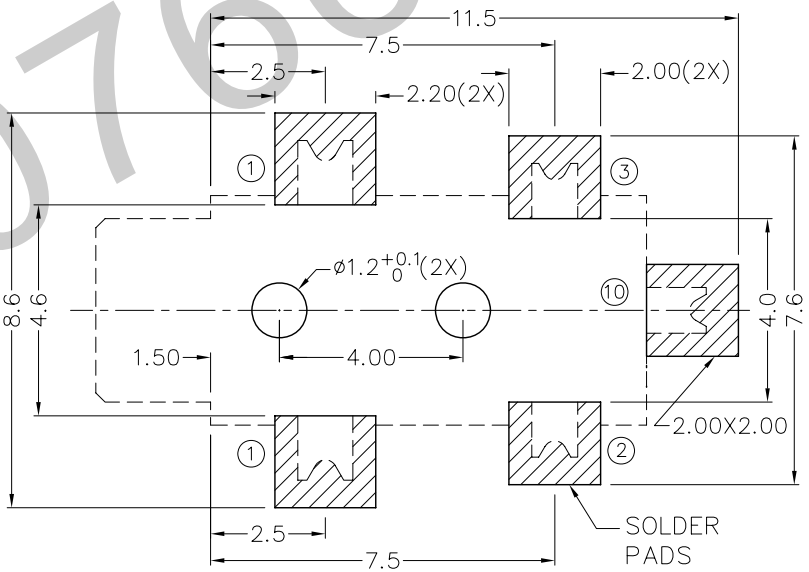
A

RoHS
Compliant

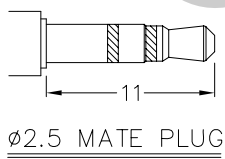
ZONE	SYMBOL	REVISION	APPROVAL	DATE
	△	TERMINAL 1 ADD CHAMFER	J.X.KUANG	25-9-2010



* MATERIAL
 TERMINAL 1 : COPPER ALLOY
 TERMINAL 2 : COPPER ALLOY
 TERMINAL 3 : COPPER ALLOY
 TERMINAL 10: COPPER ALLOY
 HOUSING : PA6T



RECOMMENDED
 SOLDER PAD LAYOUT
 (TOP VIEW)



MODEL NO.	TG-2804D	TG-2803D	TG-2803AD	TG-2802D
SCHEMATIC				



TECHNIK INDUSTRIAL CO. LTD.

DESIGN	J.X.KUANG	DATE	2-10-2003	SCALE	6:1
DRAWING	T.Y.LI	DATE	25-9-2010	MATERIAL	*
CHECK		DATE		DWG. NO.	TZ\TG280D-PA6T/F
APPROVAL		DATE		SHEET	

PART NAME	2.5mm SMD STEREO JACK	TOLERANCE UNLESS	0.0±0.2	UNIT:	
PART NO.	TG-280D	OTHERWISE SPECIFIED:	0.00±0.1 0.000±0.05	mm	

F

E

D

C

B

A