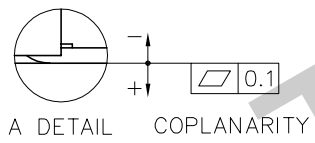
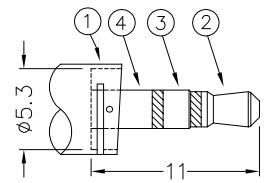
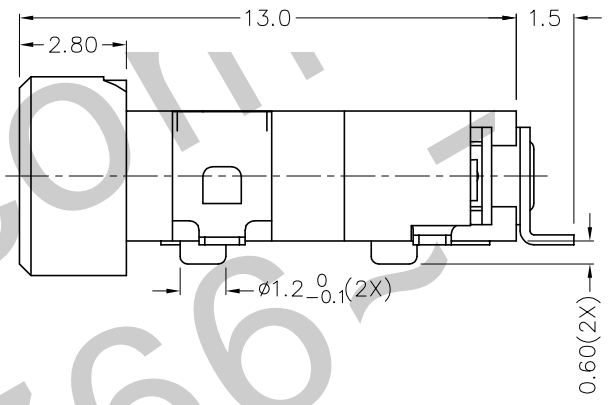
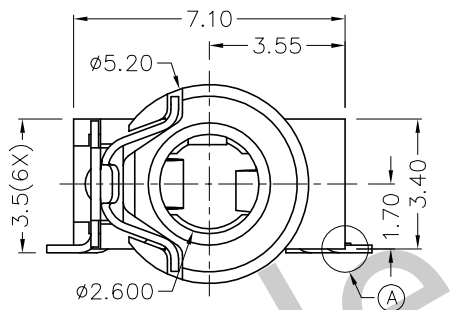
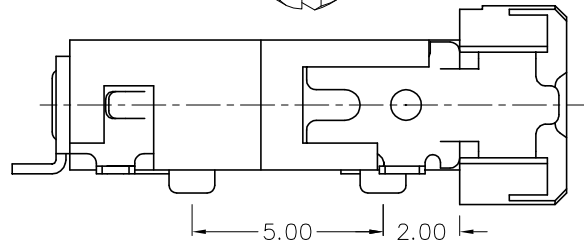
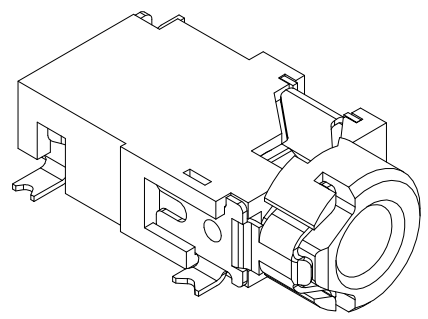


ZONE	SYMBOL	REVISION	APPROVAL	DATE
		ADDED INDICATION OF COPLANARITY	J.X.KUANG	23-12-2008

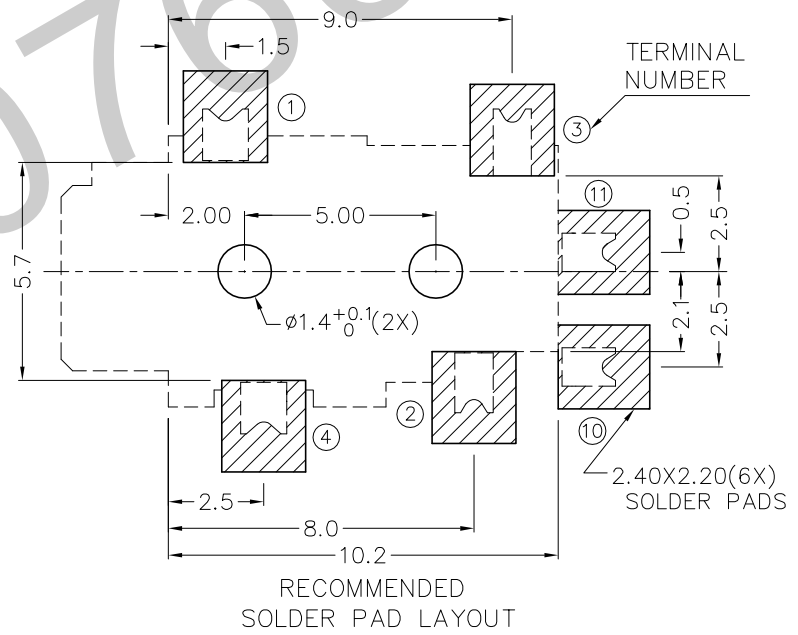
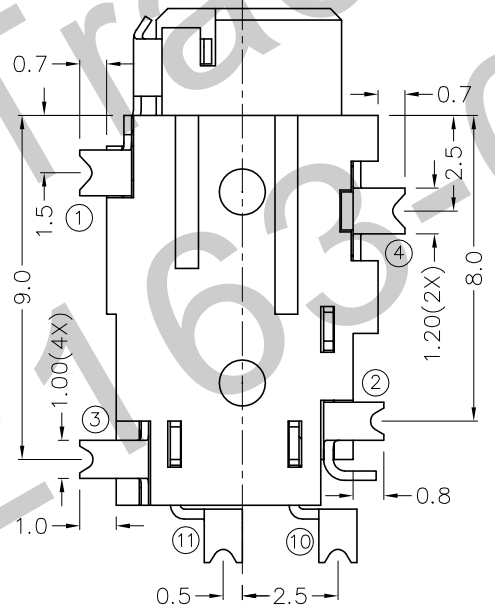
RoHS
Compliant



Ø2.5 MATE PLUG

* MATERIAL

- TERMINAL 1 : COPPER ALLOY
- TERMINAL 2 : COPPER ALLOY
- TERMINAL 3 : COPPER ALLOY
- TERMINAL 4 : COPPER ALLOY
- TERMINAL 10: BRASS
- TERMINAL 11: BRASS
- HOUSING : PA6T



MODEL NO.	TG-2816D	TG-2814D
SCHEMATIC		



TECHNIK INDUSTRIAL CO. LTD.

PART NAME	2.5mm SMD STEREO JACK	TOLERANCE UNLESS	0.0±0.2	UNIT:	mm
PART NO.	TG-281D	OTHERWISE SPECIFIED:	0.00±0.1 0.000±0.05		

DESIGN	T.Y.LI	DATE	2-10-2003	SCALE	5:1
DRAWING	T.Y.LI	DATE	23-12-2008	MATERIAL	*
CHECK		DATE		DWG. NO.	TZ\TG281D-PA6T/C
APPROVAL		DATE		SHEET	