

F

E

D

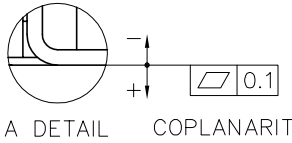
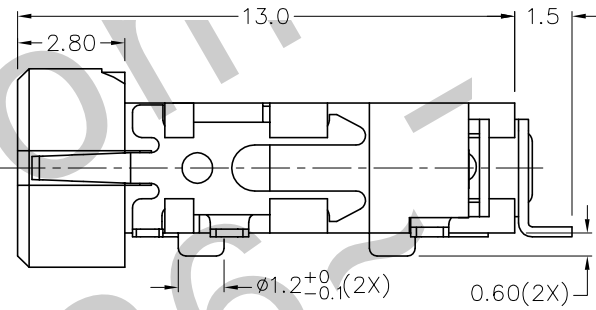
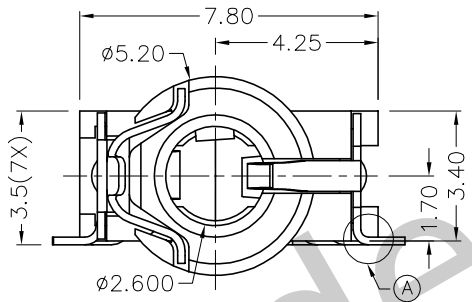
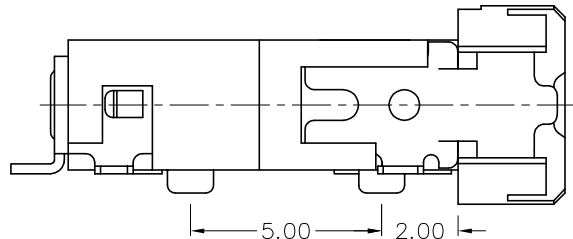
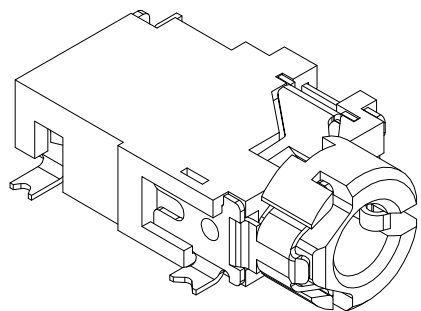
C

B

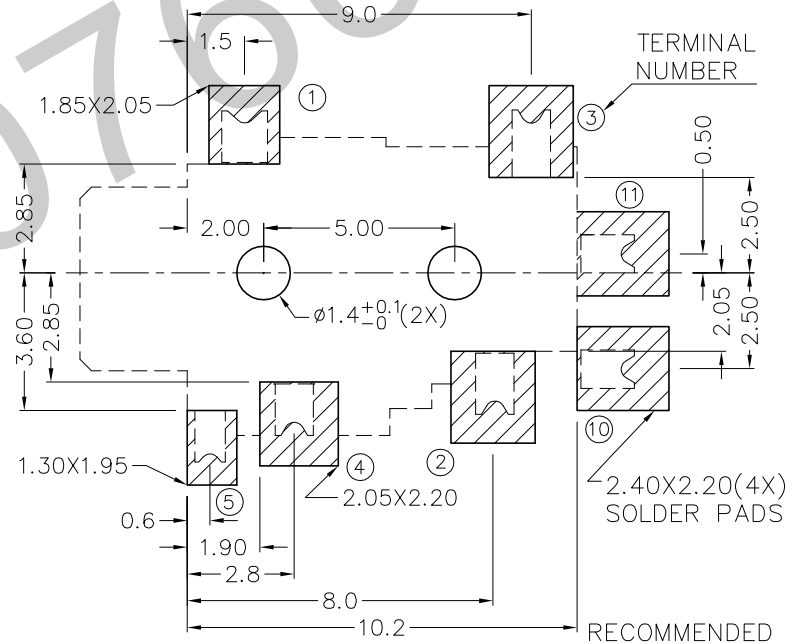
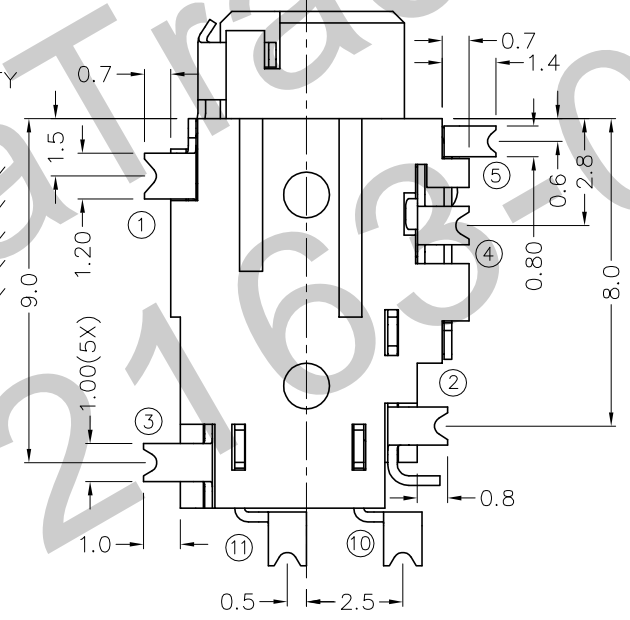
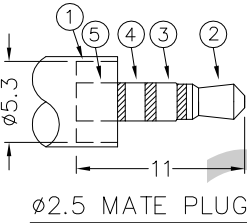
A

RoHS Compliant

ZONE	SYMBOL	REVISION	APPROVAL	DATE
		ADDED INDICATION OF COPLANARITY	J.X.KUANG	23-12-2008



- * MATERIAL**
- TERMINAL 1 : COPPER ALLOY
 - TERMINAL 2 : COPPER ALLOY
 - TERMINAL 3 : COPPER ALLOY
 - TERMINAL 4 : COPPER ALLOY
 - TERMINAL 5 : COPPER ALLOY
 - TERMINAL 10 : BRASS
 - TERMINAL 11 : BRASS
 - HOUSING : PA6T



MODEL NO.	TG-2827D	TG-2825D
SCHEMATIC	○ 1	○ 1
	√ ○ 5	√ ○ 5
	√ ○ 4	√ ○ 4
	√ ○ 3	√ ○ 3
	○ 11	○ 11
	△ ○ 10	△ ○ 10
	○ 2	○ 2



TECHNIK INDUSTRIAL CO. LTD.

PART NAME	2.5mm SMD STEREO JACK	TOLERANCE UNLESS	0.0±0.2	UNIT:	mm
PART NO.	TG-282D	OTHERWISE SPECIFIED:	0.00±0.1 0.000±0.05		

DESIGN	Z.X.N	DATE	6-10-2003	SCALE	5:1
DRAWING	T.Y.LI	DATE	23-12-2008	MATERIAL	*
CHECK		DATE		DWG. NO.	TZ\TG282D-PA6T/C
APPROVAL		DATE		SHEET	

F

E

D

C

B

A