

F

E

D

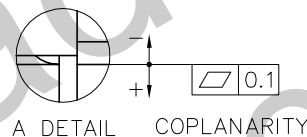
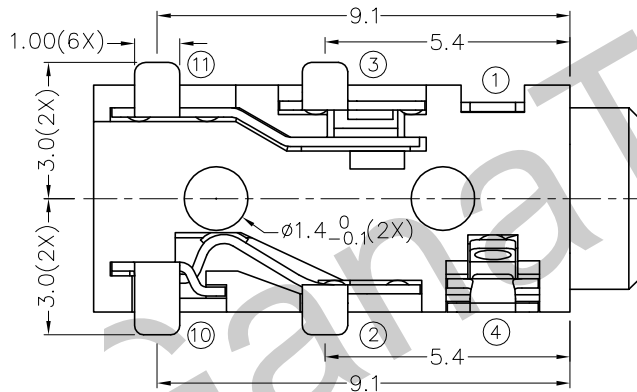
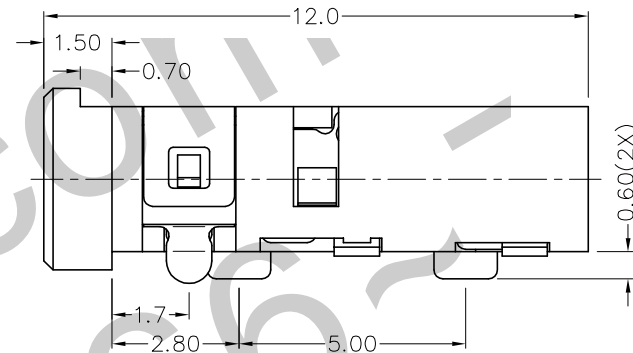
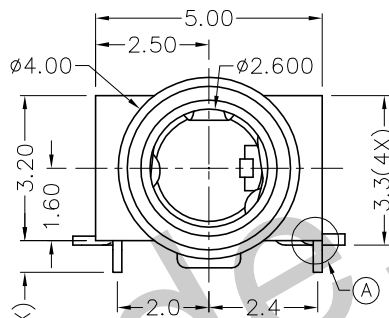
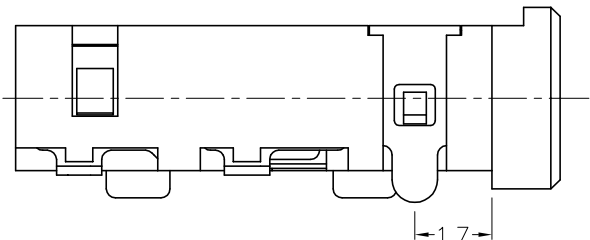
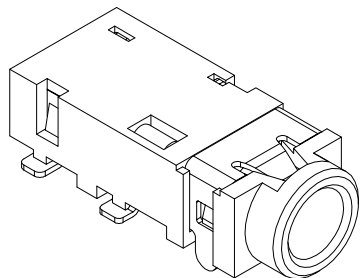
C

B

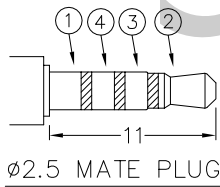
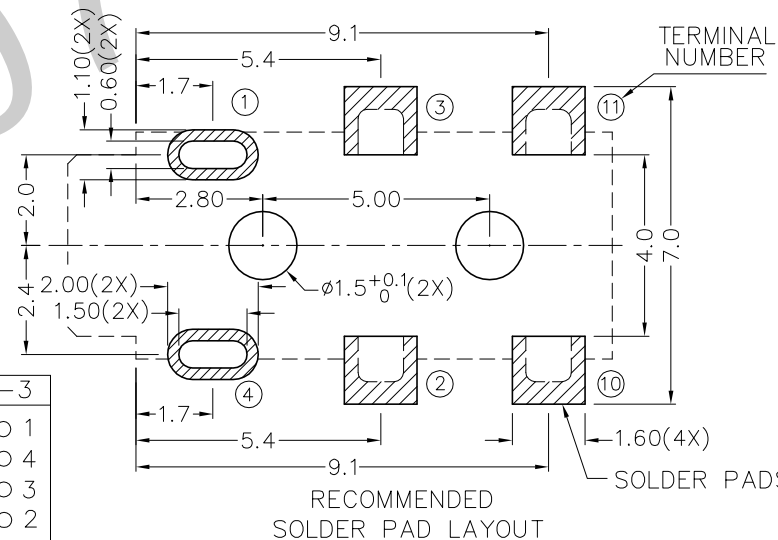
A

RoHS
Compliant

ZONE	SYMBOL	REVISION	APPROVAL	DATE
		ADDED INDICATION OF COPLANARITY	J.X.KUANG	25-12-2008



*** MATERIAL**
 TERMINAL 1 : COPPER ALLOY
 TERMINAL 2 : Ti-Cu
 TERMINAL 3 : COPPER ALLOY
 TERMINAL 4 : COPPER ALLOY
 TERMINAL 10 : BRASS
 TERMINAL 11 : BRASS
 HOUSING : PA6T



MODEL NO.	TG-2866D-3	TG-2865AD-3	TG-2865BD-3	TG-2864D-3
SCHEMATIC				



TECHNIK INDUSTRIAL CO.LTD.

DESIGN	L.L.ZHANG	DATE	10-12-2007	SCALE	6:1
DRAWING	T.Y.LI	DATE	25-12-2008	MATERIAL	*
CHECK		DATE		DWG. NO.	TZ/TG286D-3-PA6T/B
APPROVAL		DATE		SHEET	

PART NAME	2.5mm SMD STEREO JACK	TOLERANCE UNLESS	0.0±0.2	UNIT:	
PART NO.	TG-286D-3	OTHERWISE SPECIFIED:	0.00±0.1 0.000±0.05	mm	

F

E

D

C

B

A