

F

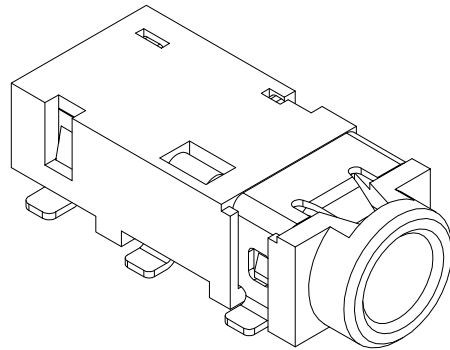
E

D

C

B

A

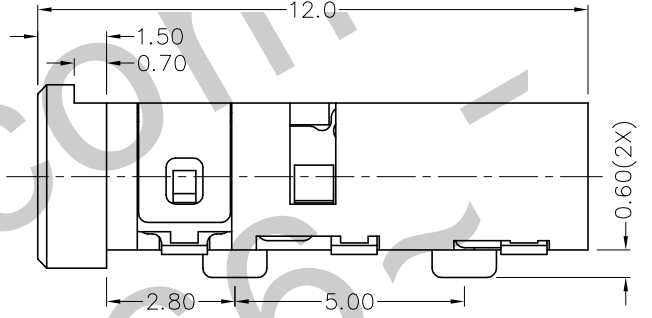
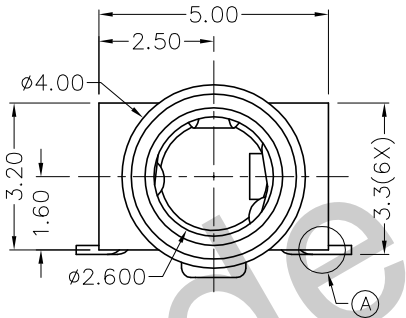
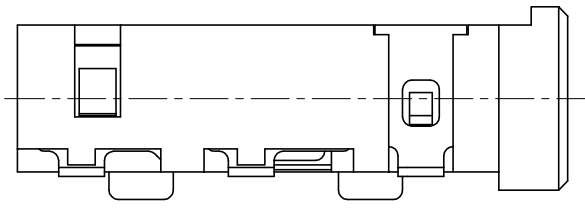


RoHS
Compliant

ZONE	SYMBOL	REVISION	APPROVAL	DATE
		ADDED INDICATION OF COPLANARITY	J.X.KUANG	24-12-2008

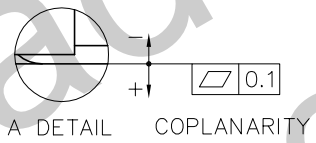
1

1

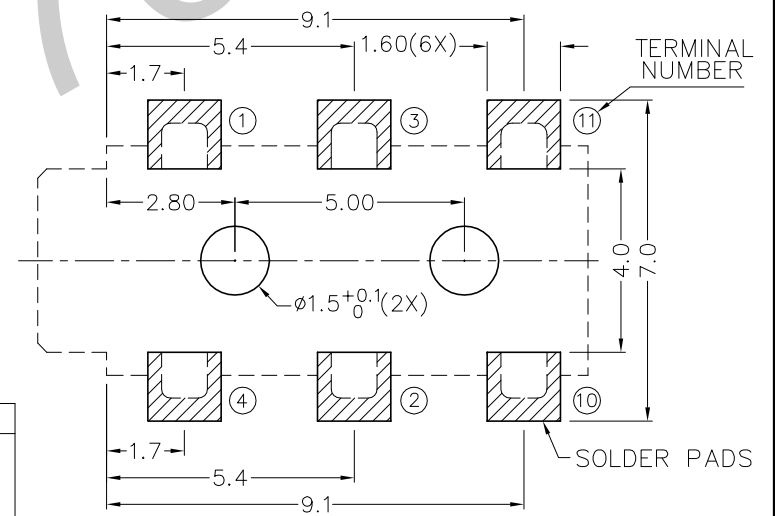
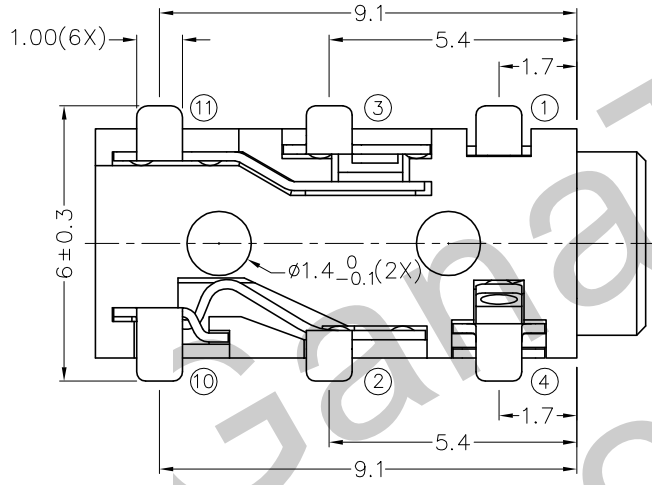


2

2

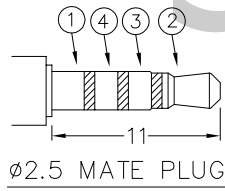


* MATERIAL
 TERMINAL 1 : COPPER ALLOY
 TERMINAL 2 : Ti-Cu
 TERMINAL 3 : COPPER ALLOY
 TERMINAL 4 : COPPER ALLOY
 TERMINAL 10 : BRASS
 TERMINAL 11 : BRASS
 HOUSING : PA6T



3

3



MODEL NO.	TG-2866D	TG-2865AD	TG-2865BD	TG-2864D
SCHEMATIC				

RECOMMENDED
SOLDER PAD LAYOUT

4

4



TECHNIK INDUSTRIAL CO. LTD.

DESIGN	L.L.ZHANG	DATE	2-9-2005	SCALE	6:1
DRAWING	T.Y.LI	DATE	24-12-2008	MATERIAL	*
CHECK		DATE		DWG. NO.	TZ\TG286D-PA6T/E
APPROVAL		DATE		SHEET	

PART NAME	2.5mm SMD STEREO JACK	TOLERANCE UNLESS	0.0±0.2	UNIT:	mm
PART NO.	TG-286D	OTHERWISE SPECIFIED:	0.00±0.1 0.000±0.05		

F

E

D

C

B

A