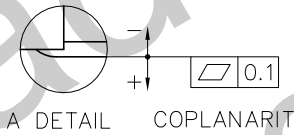
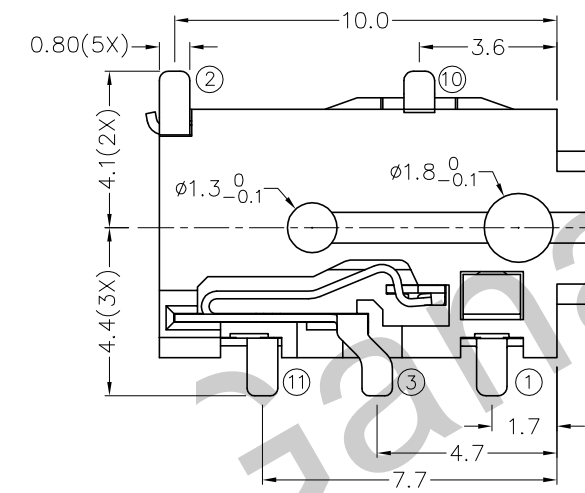
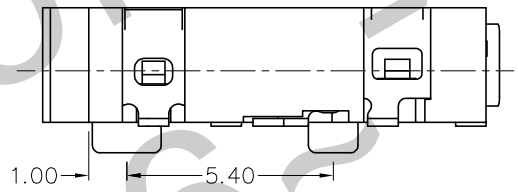
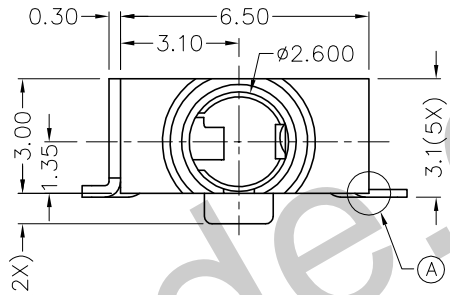
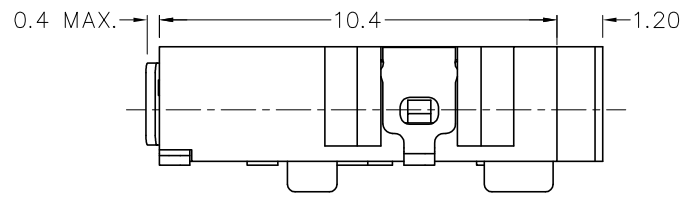
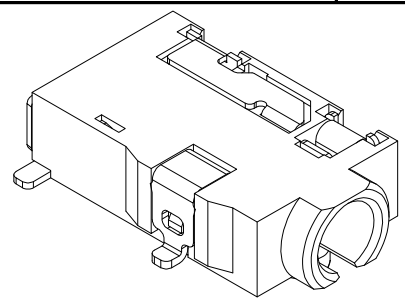


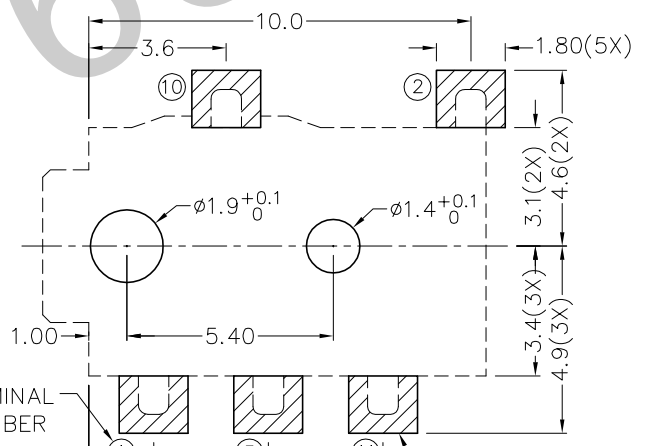
F E D C B A

RoHS
Compliant

ZONE	SYMBOL	REVISION	APPROVAL	DATE
		DESIGN MODIFIED	J.X.KUANG	25-10-2010



* MATERIAL
 TERMINAL 1 : COPPER ALLOY
 TERMINAL 2 : COPPER ALLOY
 TERMINAL 3 : COPPER ALLOY
 TERMINAL 10 : BRASS
 TERMINAL 11 : COPPER ALLOY
 HOUSING : PA6T



MODEL NO.	TG-2875D	TG-2874AD	TG-2874BD	TG-2873D	TG-2873AD
SCHEMATIC					



TECHNIK INDUSTRIAL CO. LTD.

DESIGN	J.X.KUANG	DATE	21-5-2004	SCALE	5:1
DRAWING	H.L.TAN	DATE	25-10-2010	MATERIAL	*
CHECK		DATE		DWG. NO.	TZ\TG287D-PA6T/D
APPROVAL		DATE		SHEET	

PART NAME	2.5mm SMD STEREO JACK	TOLERANCE UNLESS	0.0±0.2	UNIT:	mm
PART NO.	TG-287D	OTHERWISE SPECIFIED:	0.00±0.1 0.000±0.05		

F E D C B A