

F

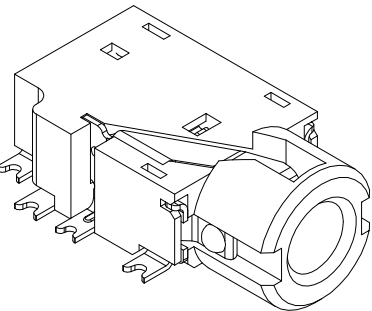
E

D

C

B

A

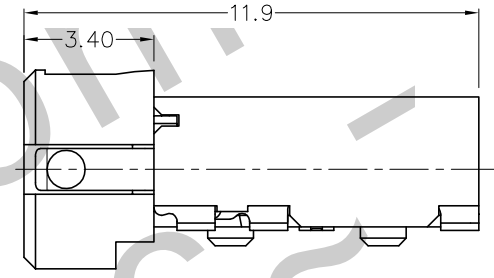
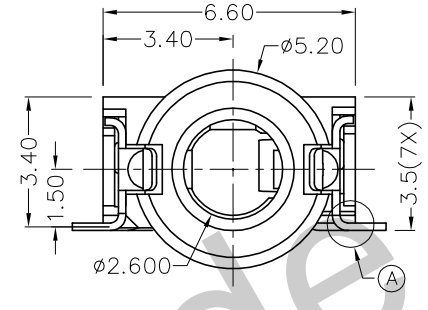
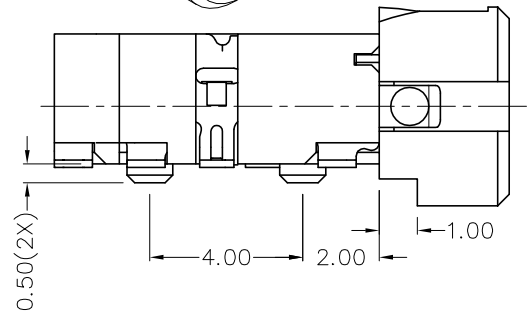


RoHS
Compliant

ZONE	SYMBOL	REVISION	APPROVAL	DATE
		MODIFY TERMINAL 7	J.X.KUANG	15-5-2010

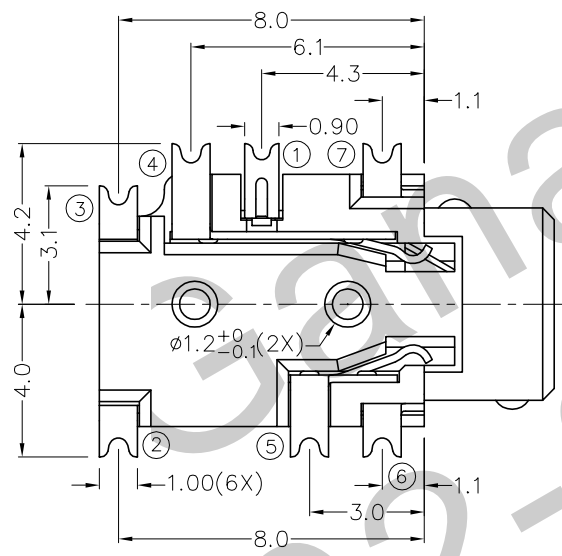
1

1

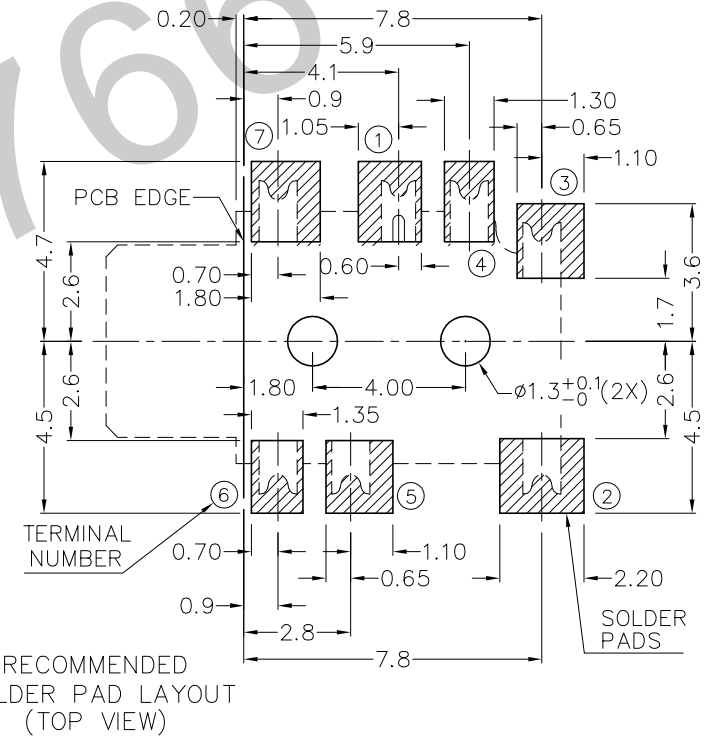
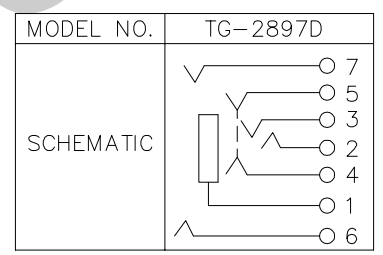
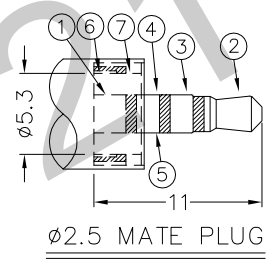
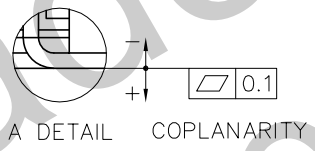


2

2



- *MATERIAL**
- TERMINAL 1 : COPPER ALLOY
 - TERMINAL 2 : COPPER ALLOY
 - TERMINAL 3 : COPPER ALLOY
 - TERMINAL 4 : COPPER ALLOY
 - TERMINAL 5 : COPPER ALLOY
 - TERMINAL 6 : COPPER ALLOY
 - TERMINAL 7 : COPPER ALLOY
 - HOUSING : PA6T



3

3

4

4



TECHNIK INDUSTRIAL CO. LTD.

PART NAME	2.5mm SMD STEREO JACK	TOLERANCE UNLESS	0.0±0.2	UNIT:	mm
PART NO.	TG-289D	OTHERWISE SPECIFIED:	0.00±0.1 0.000±0.05		

DESIGN	T.Y.LI	DATE	15-6-2005	SCALE	5:1
DRAWING	G.P.YI	DATE	15-5-2010	MATERIAL	*
CHECK		DATE		DWG. NO.	TZ\TG289D-PA6T/E
APPROVAL		DATE		SHEET	

F

E

D

C

B

A