

F

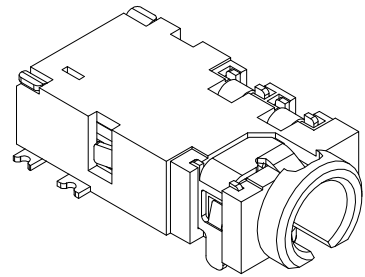
E

D

C

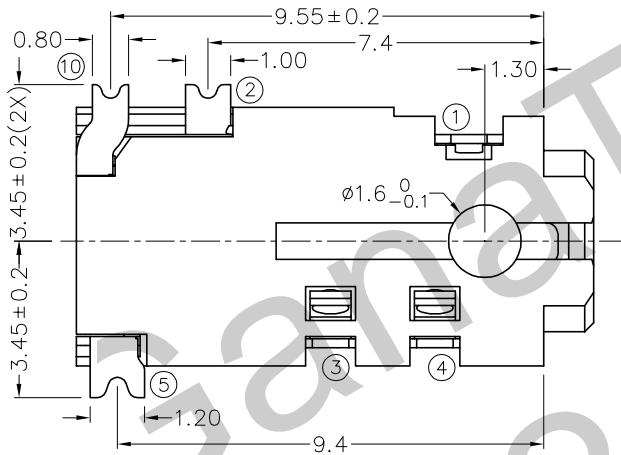
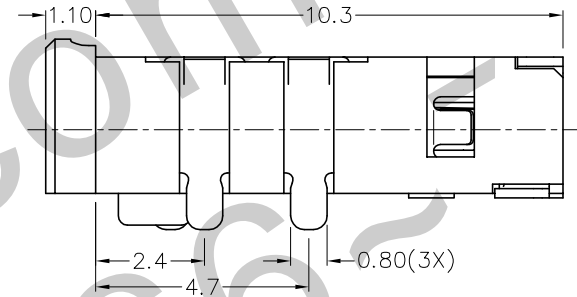
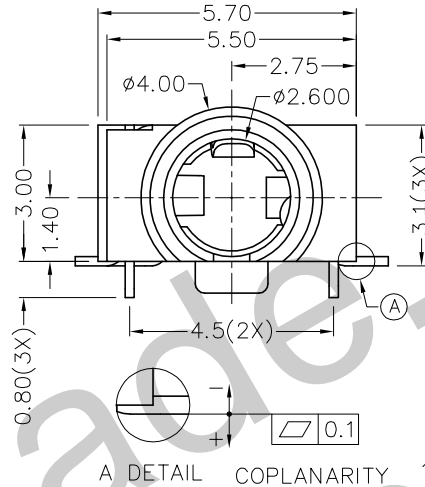
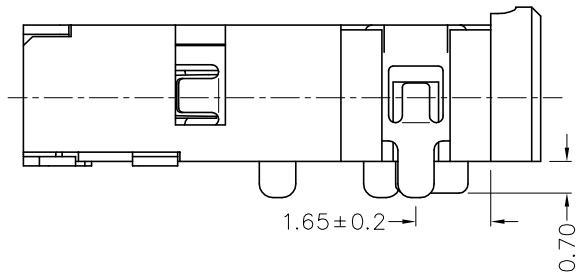
B

A



RoHS
Compliant

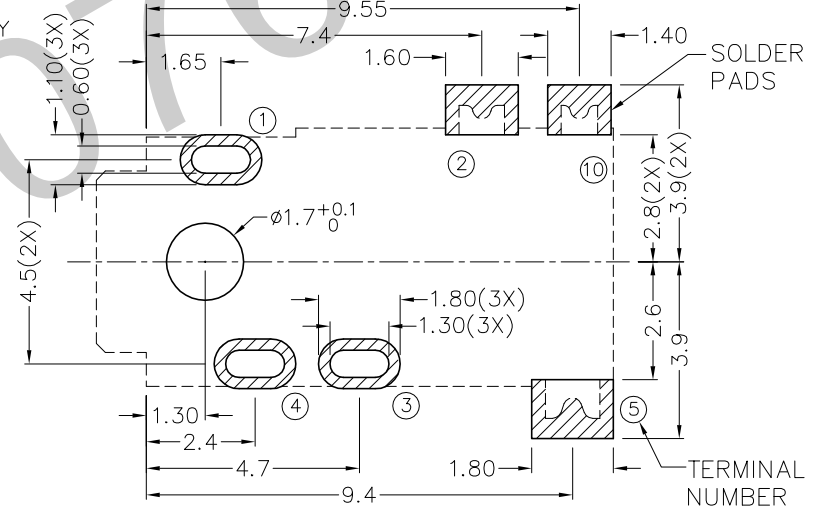
ZONE	SYMBOL	REVISION	APPROVAL	DATE
		ADDED INDICATION OF COPLANARITY	J.X.KUANG	2-1-2009



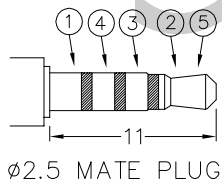
A DETAIL COPLANARITY

* MATERIAL

TERMINAL 1 : COPPER ALLOY
 TERMINAL 2 : COPPER ALLOY
 TERMINAL 3 : COPPER ALLOY
 TERMINAL 4 : COPPER ALLOY
 TERMINAL 5 : COPPER ALLOY
 TERMINAL 10: COPPER ALLOY
 HOUSING : PA6T



RECOMMENDED
SOLDER PAD LAYOUT



∅2.5 MATE PLUG

MODEL NO.	TG-4076D
SCHEMATIC	1
	4
	3
	5
	10
	2



TECHNIK INDUSTRIAL CO.LTD.

DESIGN	G.P.YI	DATE	25-4-2008	SCALE	6:1
DRAWING	T.Y.LI	DATE	2-1-2009	MATERIAL	*
CHECK		DATE		DWG. NO.	TZ\TG407D-PA6T/B
APPROVAL		DATE		SHEET	

PART NAME	2.5mm SMD STEREO JACK	TOLERANCE UNLESS	0.0±0.2	UNIT:	
PART NO.	TG-407D	OTHERWISE SPECIFIED:	0.00±0.1 0.000±0.05	mm	

F

E

D

C

B

A