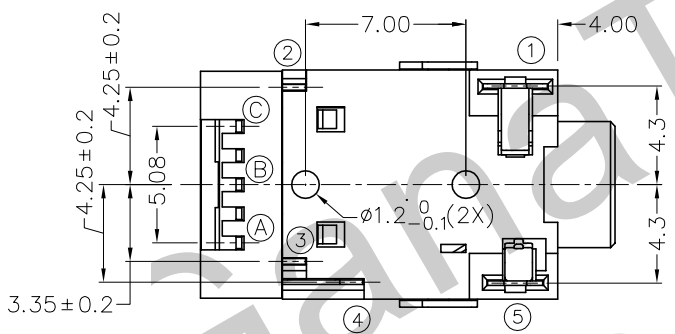
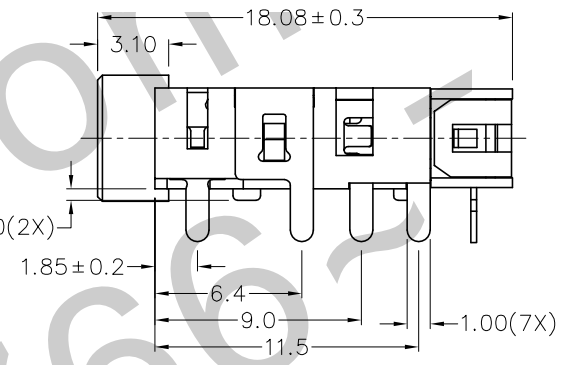
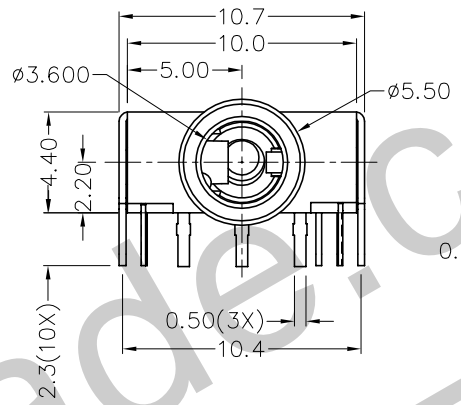
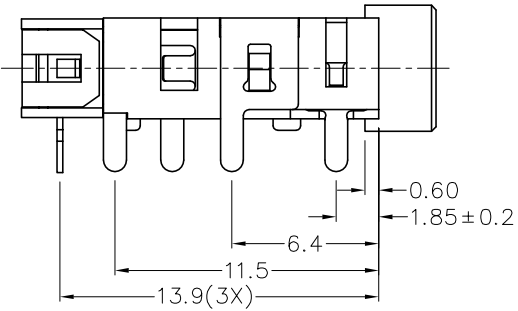
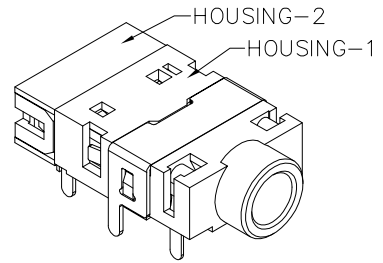


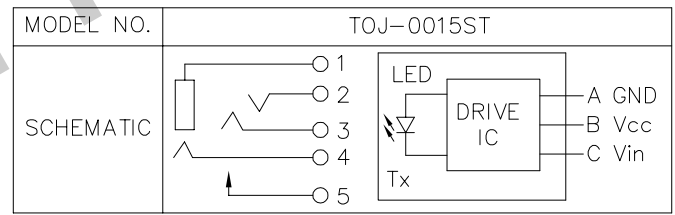
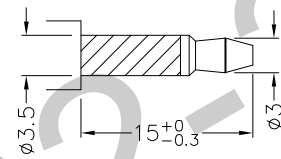
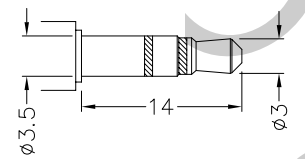
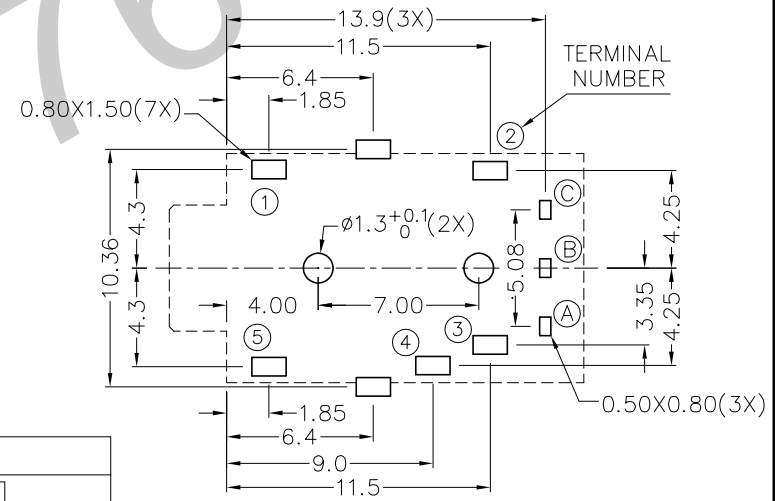
F E D C B A

ZONE	SYMBOL	REVISION	APPROVAL	DATE

RoHS
Compliant



- * MATERIAL
- TERMINAL 1 : COPPER ALLOY
 - TERMINAL 2 : COPPER ALLOY
 - TERMINAL 3 : COPPER ALLOY
 - TERMINAL 4 : COPPER ALLOY
 - TERMINAL 5 : COPPER ALLOY
 - SHIELD : BRASS
 - HOUSING-1 : PA9T
 - HOUSING-2 : PA9T
 - COVER : PA9T
 - DRIVE IC :



TECHNIK INDUSTRIAL CO.LTD.

DESIGN	G.P.YI	DATE	20-8-2008	SCALE	3:1
DRAWING	G.P.YI	DATE	20-8-2008	MATERIAL	*
CHECK		DATE		DWG. NO.	TZ\0J001ST-PA9T/A
APPROVAL		DATE		SHEET	

PART NAME	3.5mm STEREO JACK/OPTO	TOLERANCE UNLESS	0.0±0.2	UNIT: mm
PART NO.	TOJ-001ST	OTHERWISE SPECIFIED:	0.00±0.1 0.000±0.05	

F E D C B A