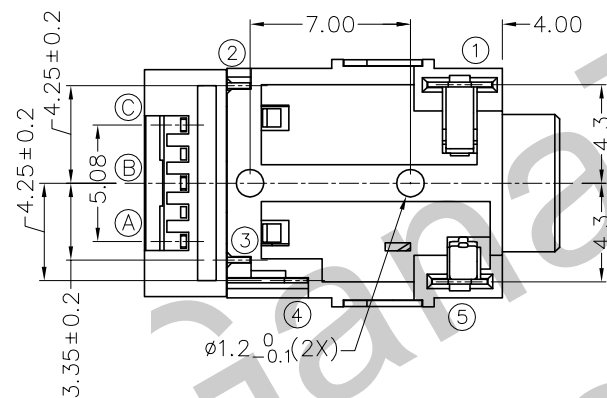
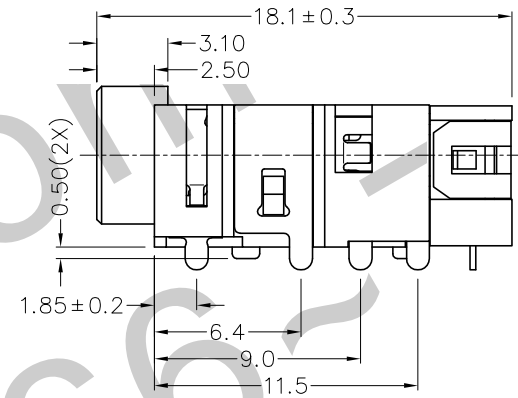
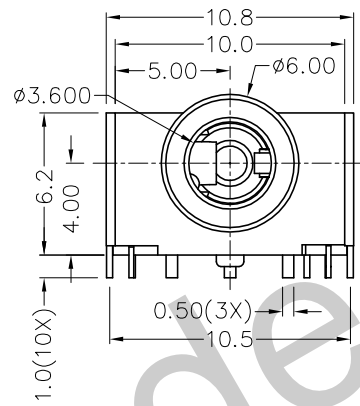
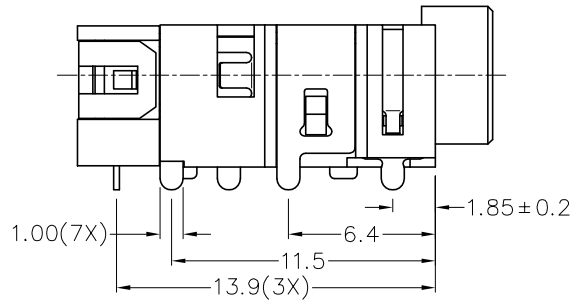


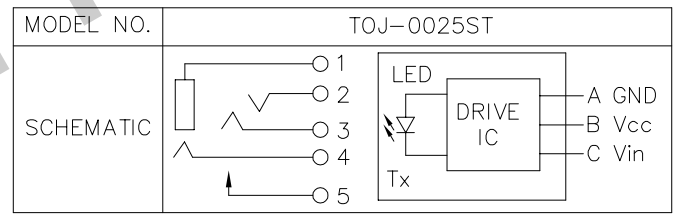
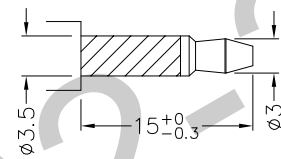
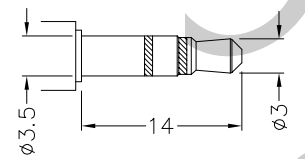
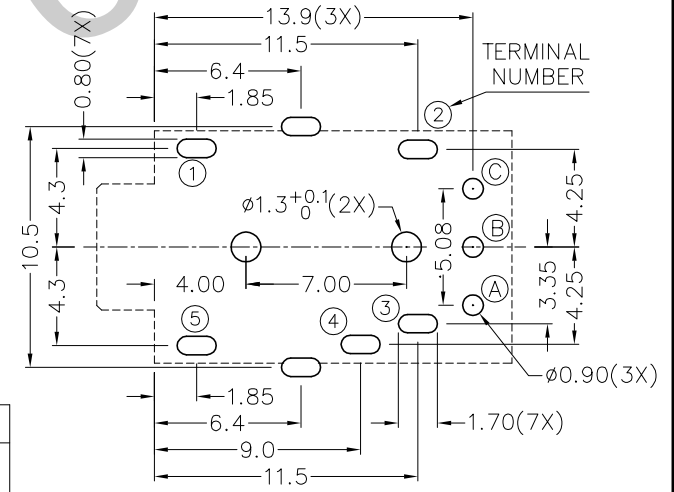
RoHS
Compliant

ZONE	SYMBOL	REVISION	APPROVAL	DATE



* MATERIAL

- TERMINAL 1 : COPPER ALLOY
- TERMINAL 2 : COPPER ALLOY
- TERMINAL 3 : COPPER ALLOY
- TERMINAL 4 : COPPER ALLOY
- TERMINAL 5 : COPPER ALLOY
- SHIELD : BRASS
- HOUSING-1 : PA9T
- HOUSING-2 : PA9T
- COVER : PA9T
- DRIVE IC :



TECHNIK INDUSTRIAL CO. LTD.

DESIGN	G.P.YI	DATE	14-1-2009	SCALE	3:1
DRAWING	T.Y.LI	DATE	31-3-2009	MATERIAL	*
CHECK		DATE		DWG. NO.	TZ\0J002ST-PA9T/A
APPROVAL		DATE		SHEET	

PART NAME	3.5mm STEREO JACK/OPTO	TOLERANCE UNLESS	0.0±0.2	UNIT:	mm
PART NO.	TOJ-002ST	OTHERWISE SPECIFIED:	0.00±0.1 0.000±0.05		

F E D C B A