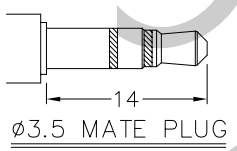
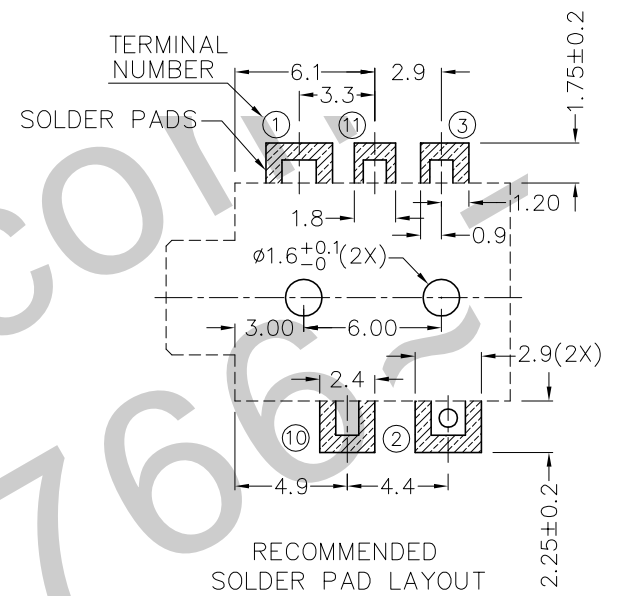
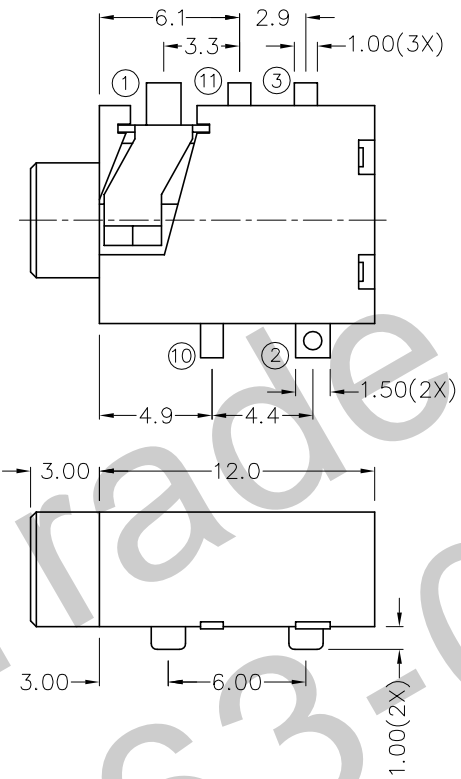
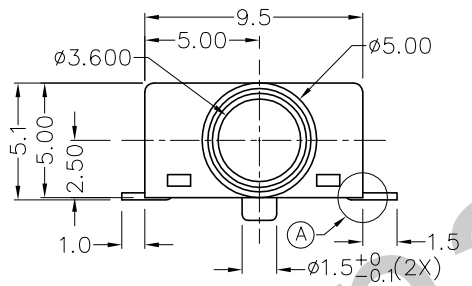
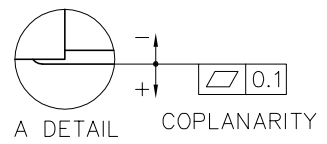
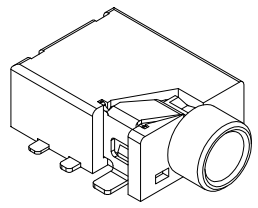


ZONE	SYMBOL	REVISION	APPROVAL	DATE
		ADDED INDICATION OF COPLANARITY	J.X.KUANG	20-11-2008

RoHS
Compliant



MODEL NO.	TSH-3675D	TSH-3674AD	TSH-3674BD	TSH-3673D	TSH-3673AD
SCHEMATIC					

- *MATERIAL
- TERMINAL 1 : COPPER ALLOY
 - TERMINAL 2 : COPPER ALLOY
 - TERMINAL 3 : COPPER ALLOY
 - TERMINAL 10 : BRASS
 - TERMINAL 11 : BRASS
 - HOUSING : PA6T
 - COVER : PA6T



TECHNIK INDUSTRIAL CO. LTD.

DESIGN	J.JIANG	DATE	3-5-2004	SCALE	3:1
DRAWING	T.Y.LI	DATE	20-11-2008	MATERIAL	*
CHECK		DATE		DWG. NO.	TZ\SH367D-PA6T/D
APPROVAL		DATE		SHEET	

PART NAME	3.5mm SMD STEREO JACK	TOLERANCE UNLESS	0.0±0.2	UNIT:	mm
PART NO.	TSH-367D	OTHERWISE SPECIFIED:	0.00±0.1 0.000±0.05		