

F

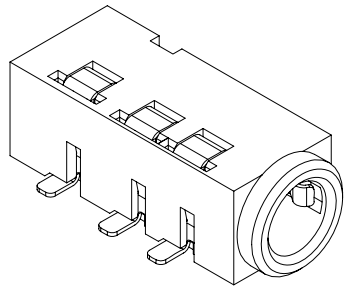
E

D

C

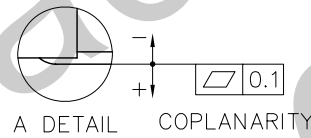
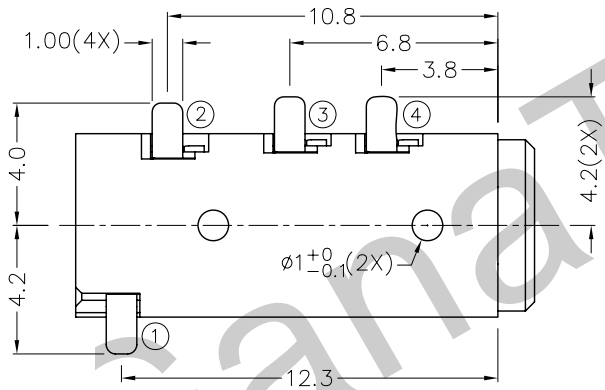
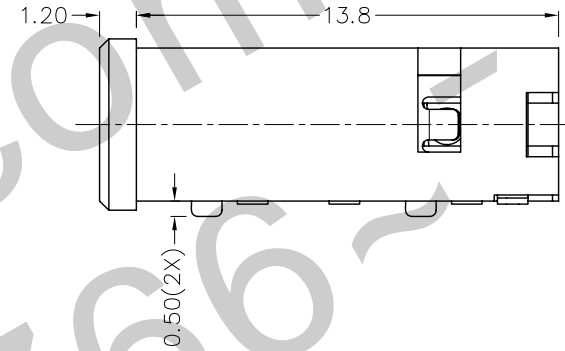
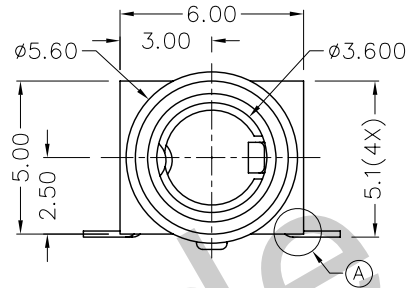
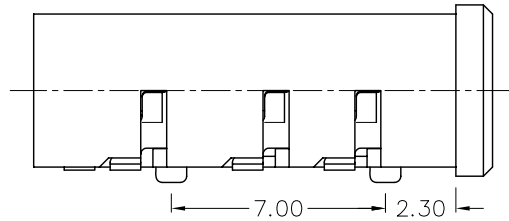
B

A



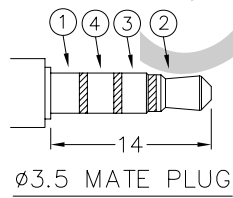
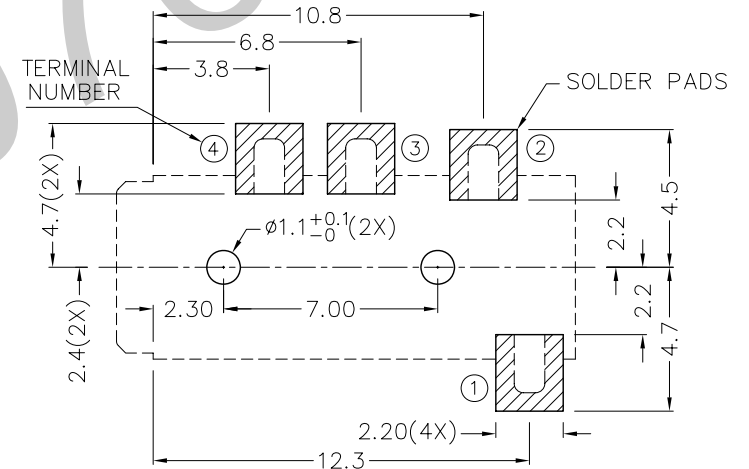
RoHS
Compliant

| ZONE | SYMBOL | REVISION | APPROVAL | DATE |
|------|--------|-----------------|-----------|-----------|
| | | UPDATE THE DWG. | J.X.KUANG | 20-7-2011 |
| | | | | |
| | | | | |



* MATERIAL

- TERMINAL 1 : COPPER ALLOY
- TERMINAL 2 : COPPER ALLOY
- TERMINAL 3 : COPPER ALLOY
- TERMINAL 4 : COPPER ALLOY
- HOUSING : PA6T



| MODEL NO. | TSH-3714 | TSH-3713 | TSH-3713B |
|-----------|----------|----------|-----------|
| SCHEMATIC | | | |



TECHNIK INDUSTRIAL CO.LTD.

PART NAME 3.5mm SMD STEREO JACK
PART NO. TSH-371

TOLERANCE UNLESS 0.0±0.2
0.00±0.1
OTHERWISE SPECIFIED: 0.000±0.05

UNIT: mm

| | | | | | |
|----------|-----------|------|-----------|----------|-----------------|
| DESIGN | J.X.KUANG | DATE | 21-7-2004 | SCALE | 4:1 |
| DRAWING | T.Y.LI | DATE | 20-7-2011 | MATERIAL | * |
| CHECK | | DATE | | DWG. NO. | TZ\SH371-PA6T/F |
| APPROVAL | | DATE | | SHEET | |

F

E

D

C

B

A