

F

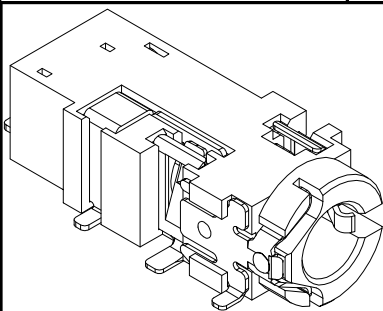
E

D

C

B

A

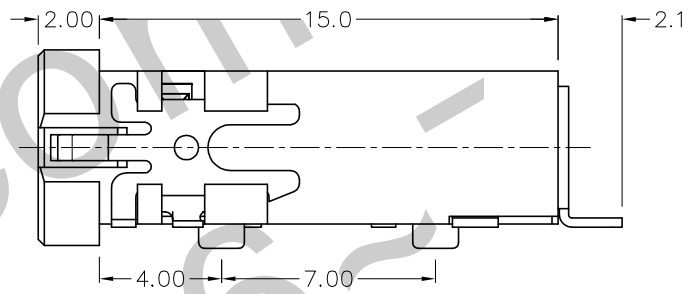
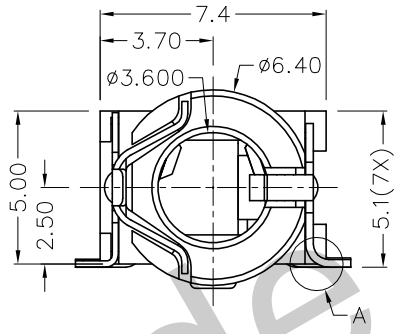
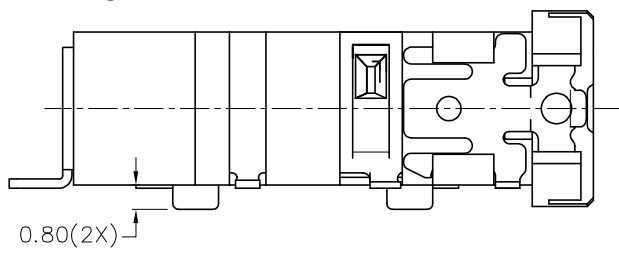


RoHS
Compliant

ZONE	SYMBOL	REVISION	APPROVAL	DATE
		DESIGN MODIFIED	J.X.KUANG	20-7-2011

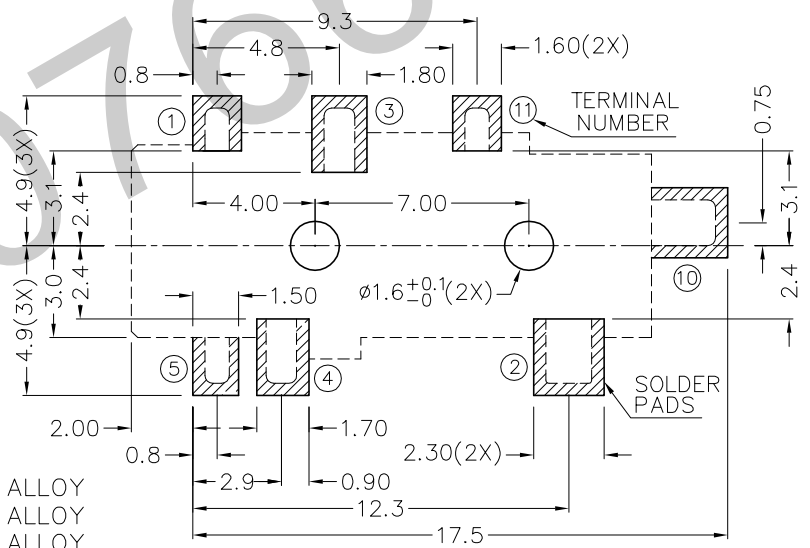
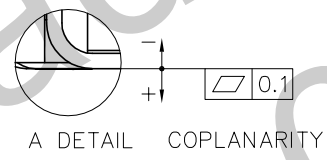
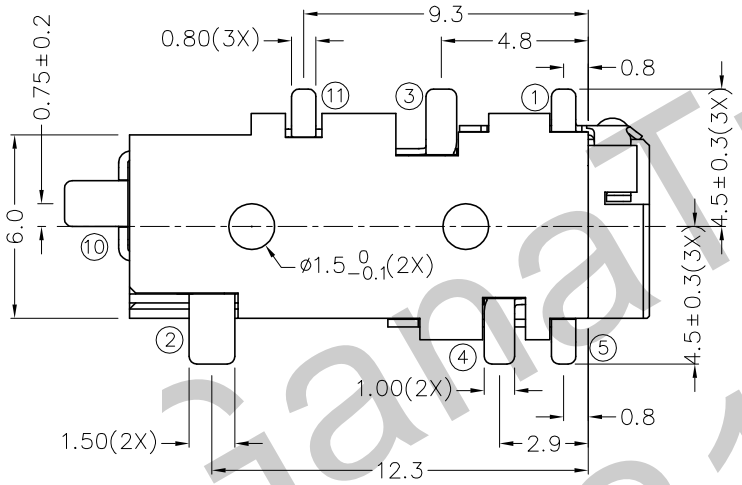
1

1



2

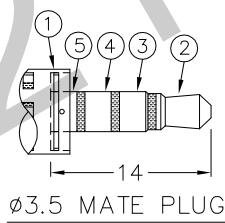
2



3

3

MODEL NO.	TSH-3827D	TSH-3825D
SCHEMATIC		



* MATERIAL

- TERMINAL 1 : COPPER ALLOY
- TERMINAL 2 : COPPER ALLOY
- TERMINAL 3 : COPPER ALLOY
- TERMINAL 4 : COPPER ALLOY
- TERMINAL 5 : COPPER ALLOY
- TERMINAL 10 : BRASS
- TERMINAL 11 : BRASS
- HOUSING : PA6T

RECOMMENDED
SOLDER PAD LAYOUT
(TOP VIEW)

4

4



TECHNIK INDUSTRIAL CO. LTD.

DESIGN	T.Y.LI	DATE	7-10-2003	SCALE	4:1
DRAWING	G.P.YI	DATE	20-7-2011	MATERIAL	*
CHECK		DATE		DWG. NO.	TZ\SH382D-PA6T/D
APPROVAL		DATE		SHEET	

PART NAME	3.5mm SMD STEREO JACK	TOLERANCE UNLESS	0.0±0.2	UNIT:	mm
PART NO.	TSH-382D	OTHERWISE SPECIFIED:	0.00±0.1 0.000±0.05		

F

E

D

C

B

A