

F

E

D

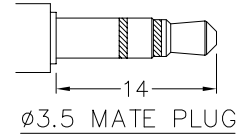
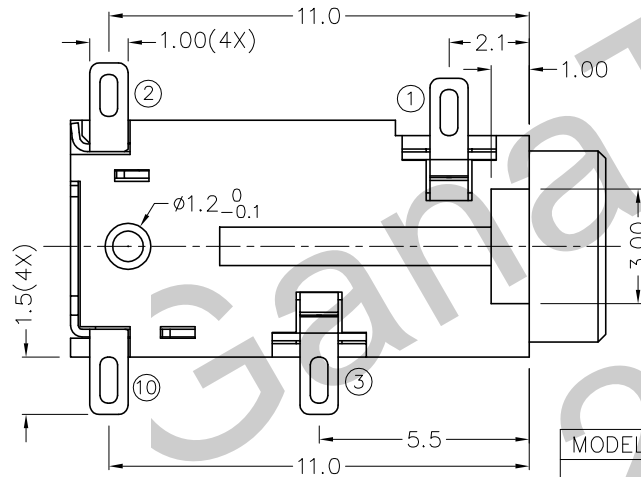
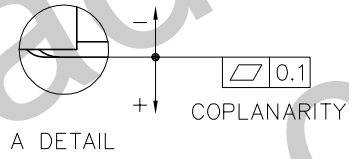
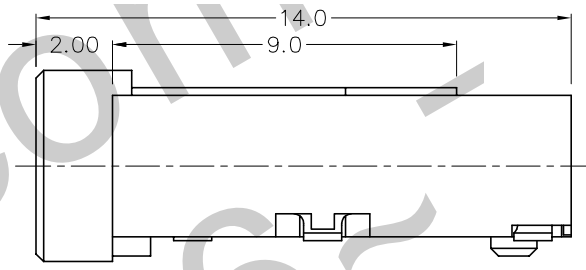
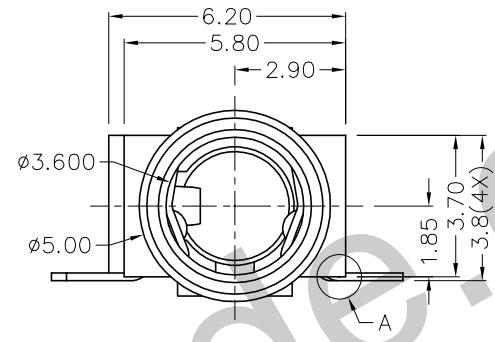
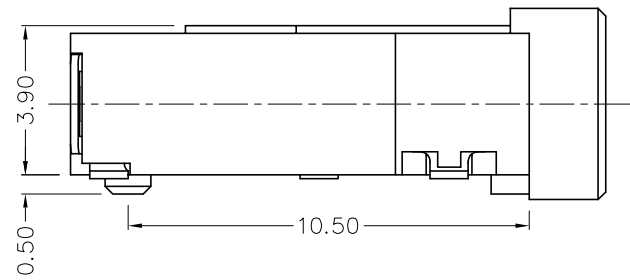
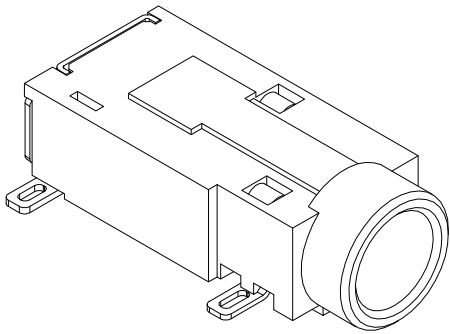
C

B

A

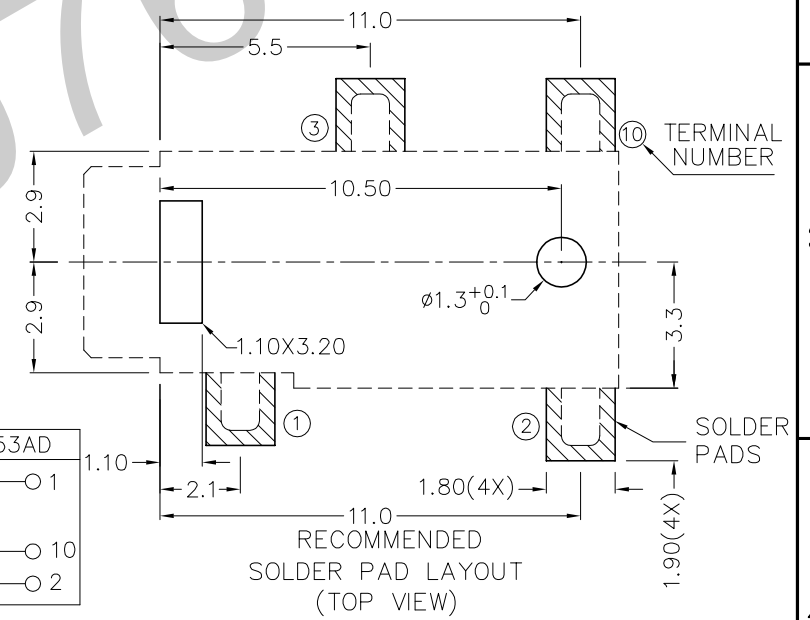
ZONE	SYMBOL	REVISION	APPROVAL	DATE
		UPDATE DIM.	J.X.KUANG	13-5-2011

RoHS  
Compliant



\* MATERIAL  
 TERMINAL 1 : COPPER ALLOY  
 TERMINAL 2 : COPPER ALLOY  
 TERMINAL 3 : COPPER ALLOY  
 TERMINAL 10: BRASS  
 HOUSING : PA6T

MODEL NO.	TSH-3854D	TSH-3853D	TSH-3853AD
SCHEMATIC			



TECHNIK INDUSTRIAL CO. LTD.

DESIGN	T.Y.LI	DATE	7-1-2004	SCALE	5:1
DRAWING	G.P.YI	DATE	13-5-2011	MATERIAL	*
CHECK		DATE		DWG. NO.	TZ\SH385D-PA6T/D
APPROVAL		DATE		SHEET	

PART NAME	3.5mm SMD STEREO JACK	TOLERANCE UNLESS	0.0±0.2	UNIT:	mm
PART NO.	TSH-385D	OTHERWISE SPECIFIED:	0.00±0.1 0.000±0.05		

F

E

D

C

B

A