

F

E

D

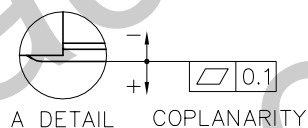
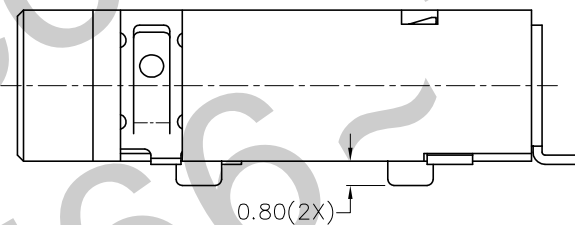
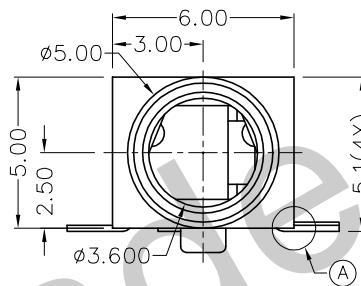
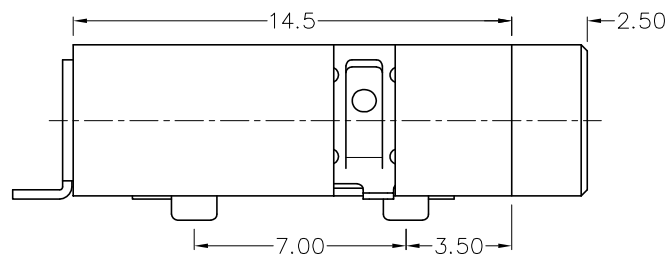
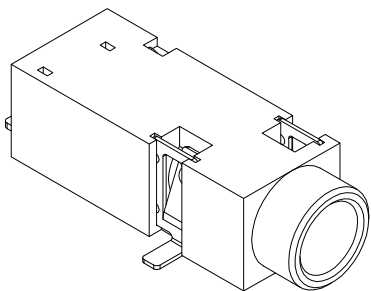
C

B

A

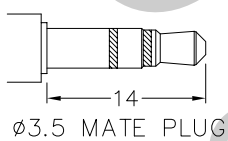
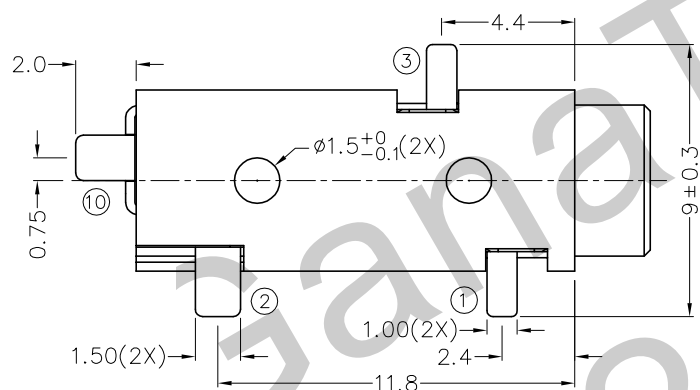
RoHS  
Compliant

ZONE	SYMBOL	REVISION	APPROVAL	DATE
		ADDED INDICATION OF COPLANARITY	J.X.KUANG	27-11-2008

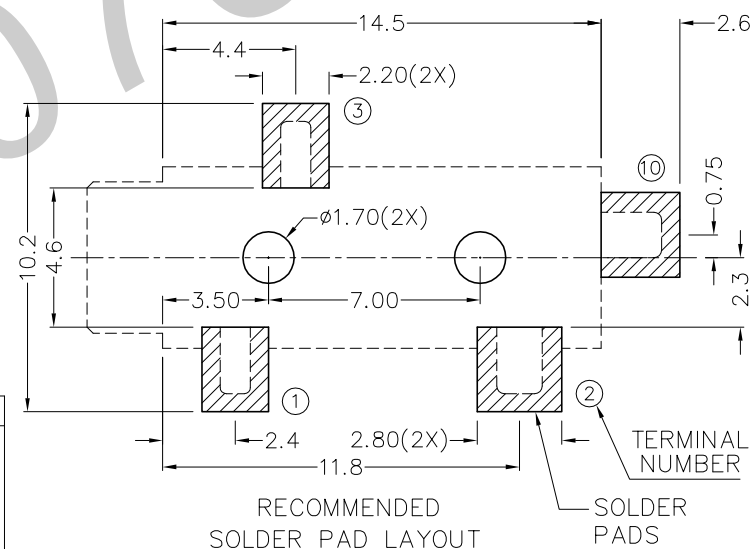


\* MATERIAL

TERMINAL 1 : COPPER ALLOY  
 TERMINAL 2 : COPPER ALLOY  
 TERMINAL 3 : COPPER ALLOY  
 TERMINAL 10 : BRASS  
 HOUSING : PA6T



MODEL NO.	TSH-3874D	TSH-3873D	TSH-3873AD
SCHEMATIC			



TECHNIK INDUSTRIAL CO.LTD.

DESIGN	J.JIANG	DATE	12-11-2004	SCALE	4:1
DRAWING	T.Y.LI	DATE	27-11-2008	MATERIAL	*
CHECK		DATE		DWG. NO.	TZ\SH387D-PA6T/C
APPROVAL		DATE		SHEET	

PART NAME	3.5mm SMD STEREO JACK	TOLERANCE UNLESS	0.0±0.2	UNIT:	
PART NO.	TSH-387D	OTHERWISE SPECIFIED:	0.00±0.1 0.000±0.05	mm	

F

E

D

C

B

A