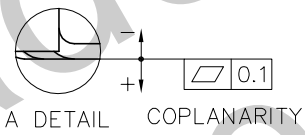
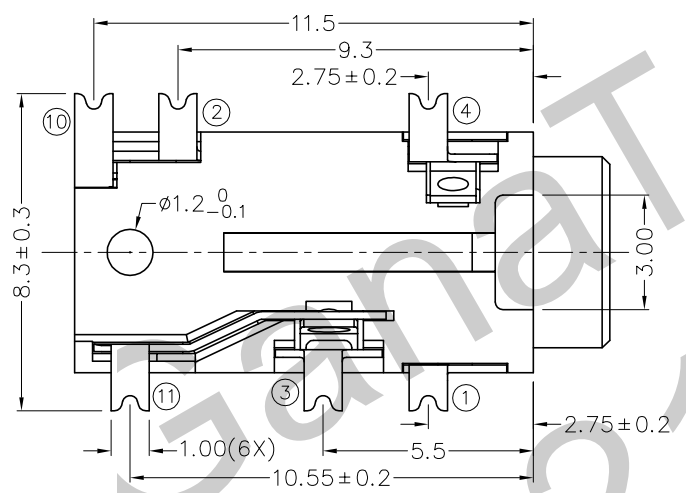
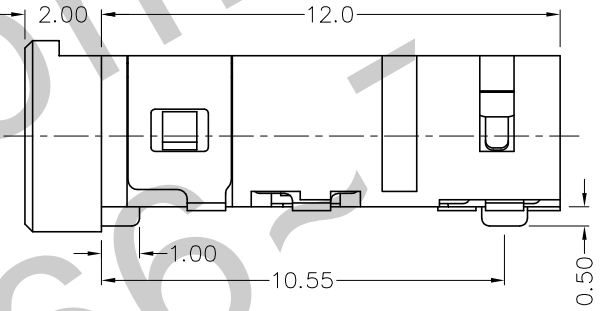
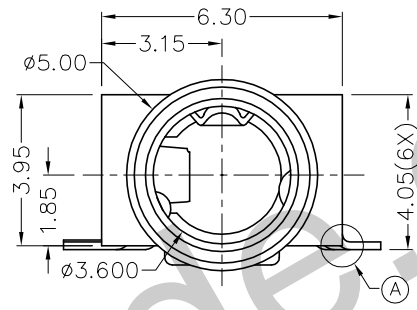
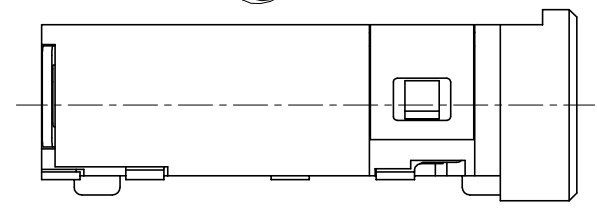
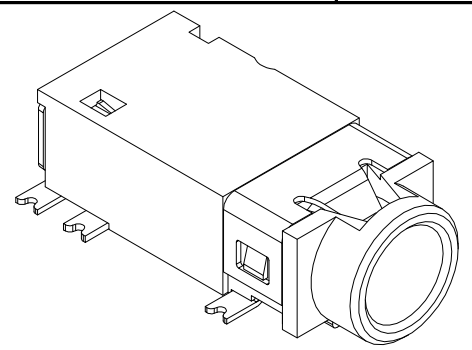


F E D C B A

RoHS
Compliant

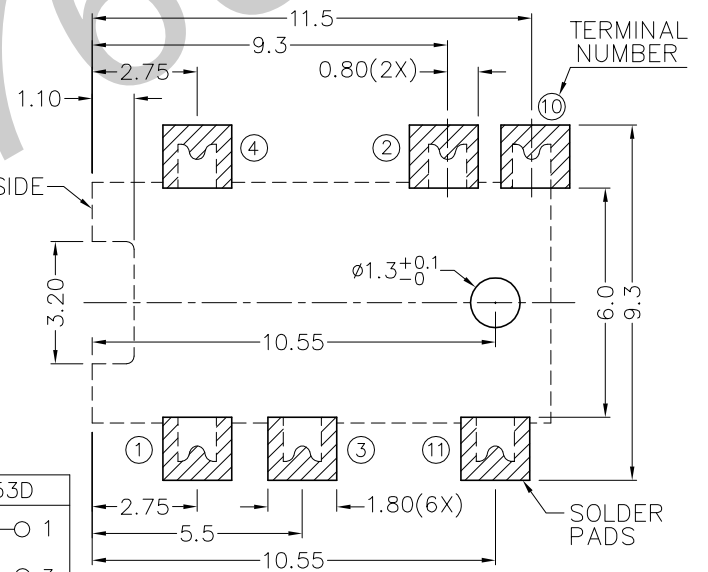
ZONE	SYMBOL	REVISION	APPROVAL	DATE
		ADD SCHEMATIC	J.X.KUANG	13-2-2009



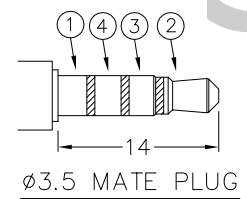
* MATERIAL

- TERMINAL 1 : COPPER ALLOY
- TERMINAL 2 : COPPER ALLOY
- TERMINAL 3 : COPPER ALLOY
- TERMINAL 4 : COPPER ALLOY
- TERMINAL 10 : COPPER ALLOY
- TERMINAL 11 : COPPER ALLOY
- HOUSING : PA6T

P.C.B LAYOUT SIDE



RECOMMENDED
SOLDER PAD LAYOUT



MODEL NO.	TSH-3956D	TSH-3955AD	TSH-3955BD	TSH-3954D	TSH-3953D
SCHEMATIC					



TECHNIK INDUSTRIAL CO. LTD.

DESIGN	T.Y.LI	DATE	29-9-2006	SCALE	5:1
DRAWING	T.Y.LI	DATE	13-2-2009	MATERIAL	*
CHECK		DATE		DWG. NO.	TZ\SH395D-PA6T/C
APPROVAL		DATE		SHEET	

PART NAME	3.5mm SMD STEREO JACK	TOLERANCE UNLESS	0.0±0.2	UNIT:	mm
PART NO.	TSH-395D	OTHERWISE SPECIFIED:	0.00±0.1 0.000±0.05		

F E D C B A