

F

E

D

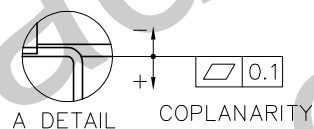
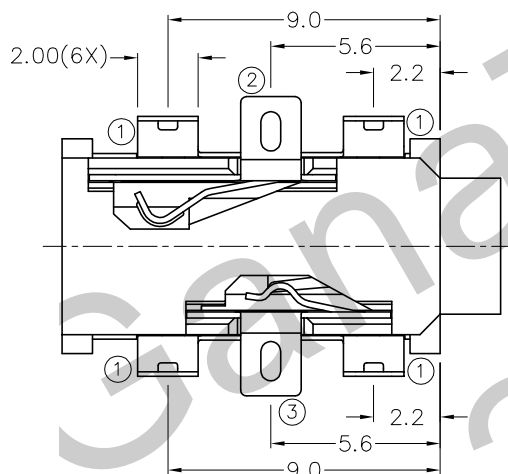
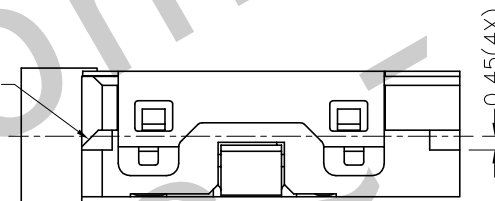
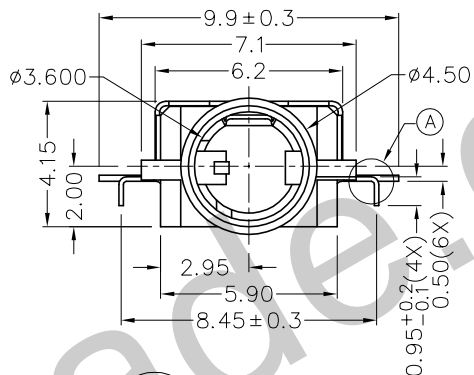
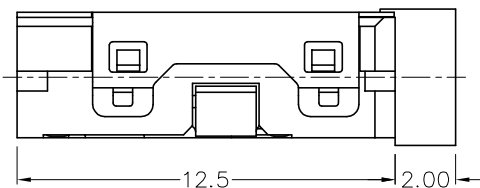
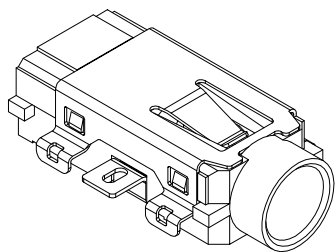
C

B

A

RoHS
Compliant

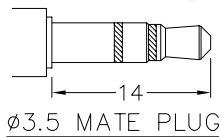
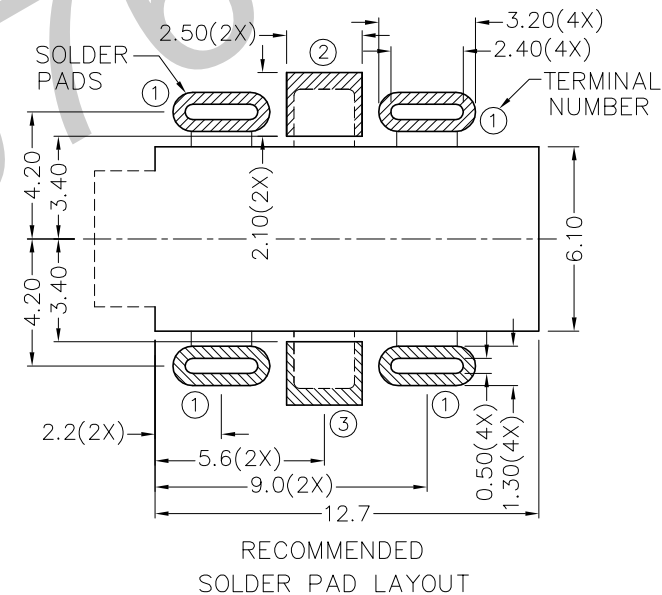
ZONE	SYMBOL	REVISION	APPROVAL	DATE
		ADDED INDICATION OF COPLANARITY	J.X.KUANG	16-12-2008



* MATERIAL

TERMINAL 1 : STAINLESS STEEL
TERMINAL 2 : COPPER ALLOY
TERMINAL 3 : COPPER ALLOY
HOUSING : PA6T

MODEL NO.	TSH-5033D
SCHEMATIC	



TECHNIK INDUSTRIAL CO.LTD.

PART NAME	3.5mm SMD STEREO JACK	TOLERANCE UNLESS 0.0±0.2 0.00±0.1 OTHERWISE SPECIFIED: 0.000±0.05	UNIT: mm	DESIGN	T.Y.LI	DATE	22-8-2007	SCALE	4:1
				DRAWING	T.Y.LI	DATE	16-12-2008	MATERIAL	*
PART NO.	TSH-503D			CHECK		DATE		DWG. NO.	TZ\SH503D-PA6T/B
				APPROVAL		DATE		SHEET	

F

E

D

C

B

A