

F

E

D

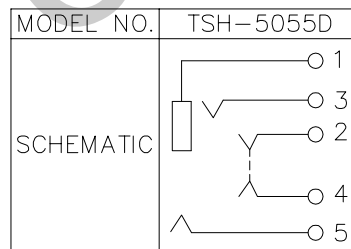
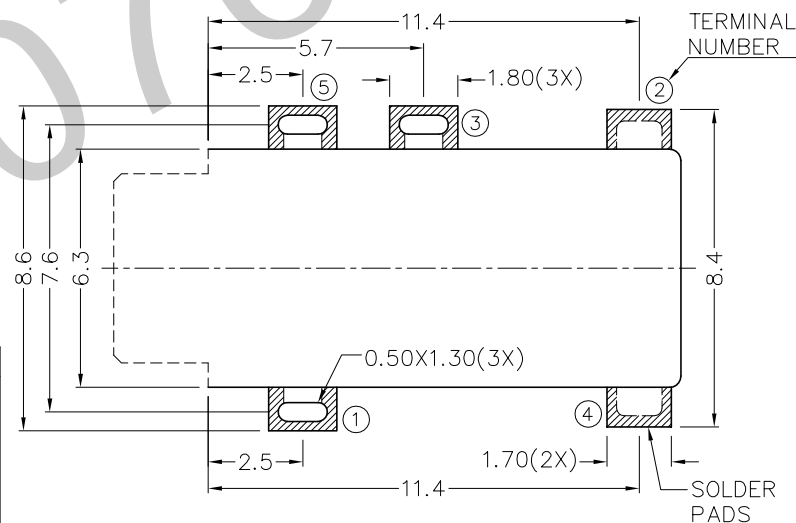
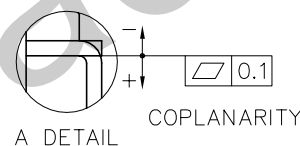
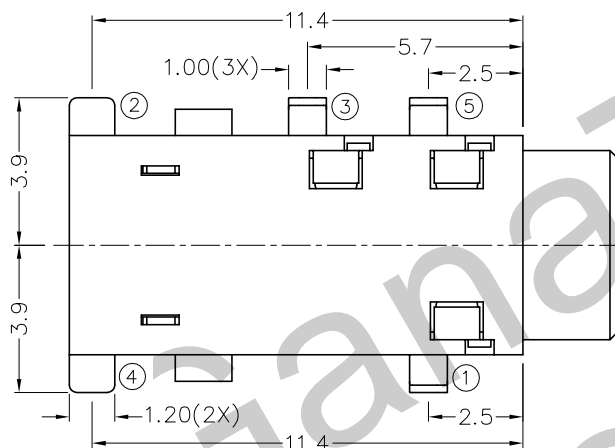
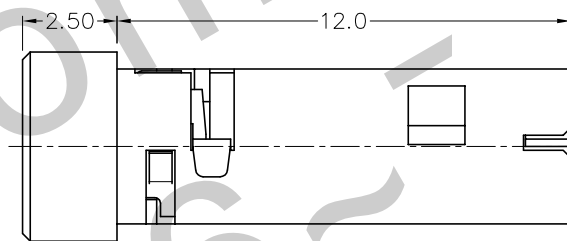
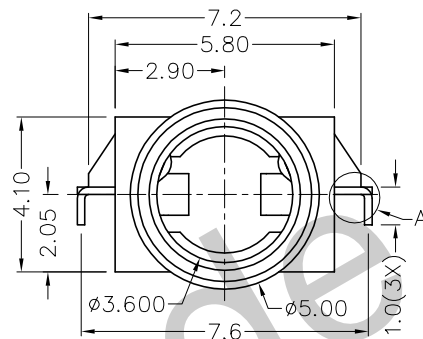
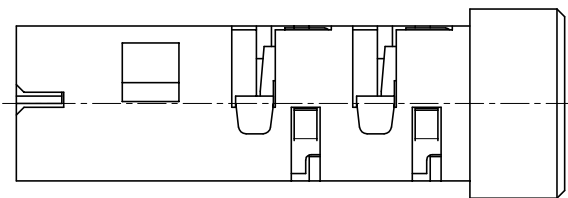
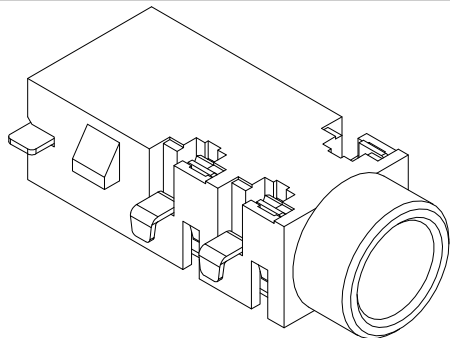
C

B

A

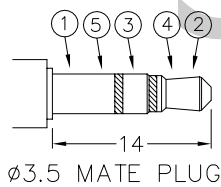
RoHS
Compliant

ZONE	SYMBOL	REVISION	APPROVAL	DATE
		ADDED INDICATION OF COPLANARITY	J.X.KUANG	16-12-2008



* MATERIAL

TERMINAL 1 : COPPER ALLOY
 TERMINAL 2 : COPPER ALLOY
 TERMINAL 3 : COPPER ALLOY
 TERMINAL 4 : COPPER ALLOY
 TERMINAL 5 : COPPER ALLOY
 HOUSING : PA6T



TECHNIK INDUSTRIAL CO.LTD.

DESIGN	T.Y.LI	DATE	5-11-2007	SCALE	5:1
DRAWING	T.Y.LI	DATE	16-12-2008	MATERIAL	*
CHECK		DATE		DWG. NO.	TZ\SH505D-PA6T/B
APPROVAL		DATE		SHEET	

PART NAME 3.5mm SMD STEREO JACK

TOLERANCE UNLESS 0.0±0.2
 OTHERWISE SPECIFIED: 0.00±0.1
 0.000±0.05

UNIT: mm



PART NO. TSH-505D

F

E

D

C

B

A