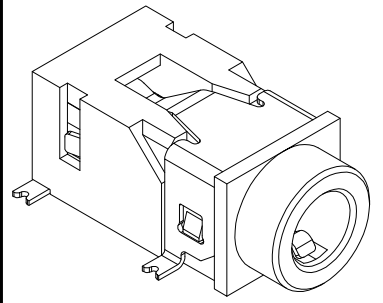


F E D C B A

ZONE	SYMBOL	REVISION	APPROVAL	DATE

RoHS
Compliant



1

1

2

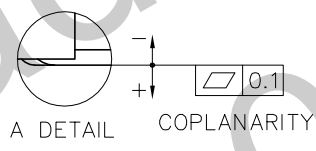
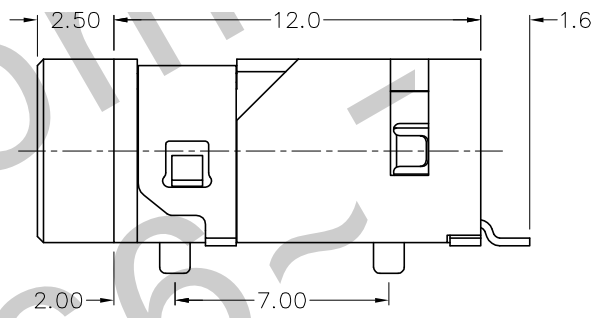
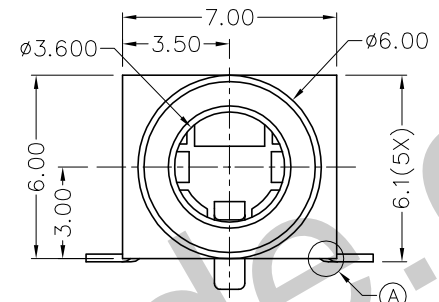
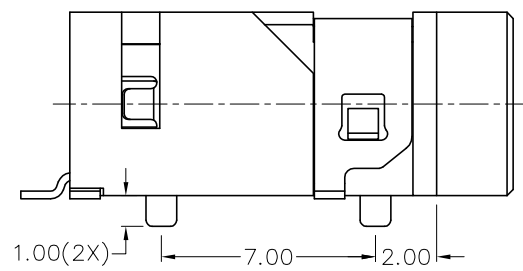
2

3

3

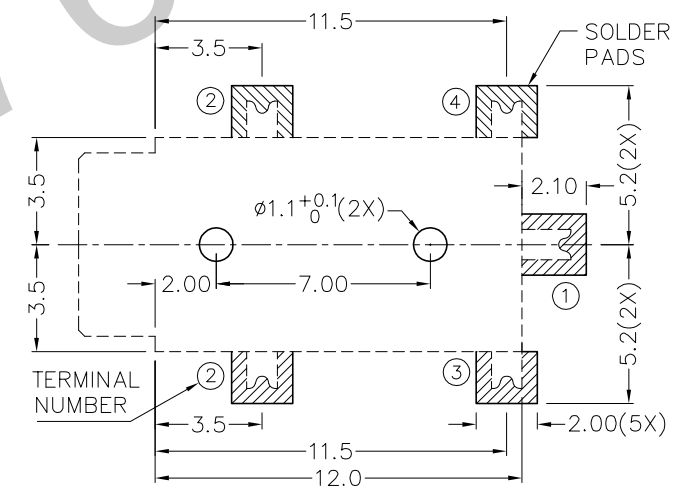
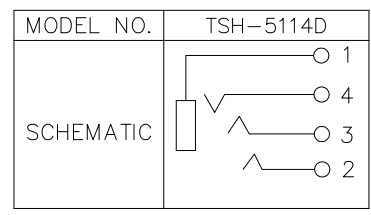
4

4

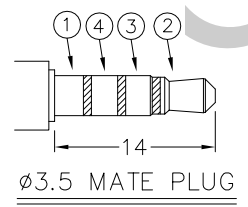
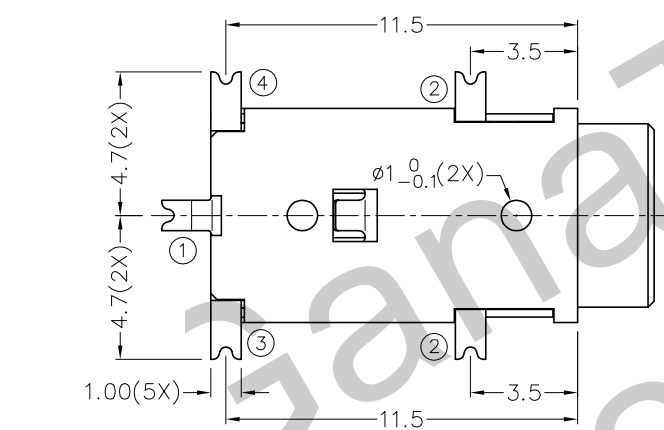


* MATERIAL

- TERMINAL 1 : COPPER ALLOY
- TERMINAL 2 : COPPER ALLOY
- TERMINAL 3 : COPPER ALLOY
- TERMINAL 4 : COPPER ALLOY
- HOUSING : PA6T



RECOMMENDED
SOLDER PAD LAYOUT
(TOP VIEW)



TECHNIK INDUSTRIAL CO.LTD.

DESIGN	G.P.YI	DATE	13-6-2009	SCALE	4:1
DRAWING	G.P.YI	DATE	13-6-2009	MATERIAL	*
CHECK		DATE		DWG. NO.	TZ\SH511D-PA6T/A
APPROVAL		DATE		SHEET	

PART NAME	3.5mm SMD STEREO JACK	TOLERANCE UNLESS	0.0±0.2	UNIT:	mm
PART NO.	TSH-511D	OTHERWISE SPECIFIED:	0.00±0.1 0.000±0.05		

F E D C B A