

F

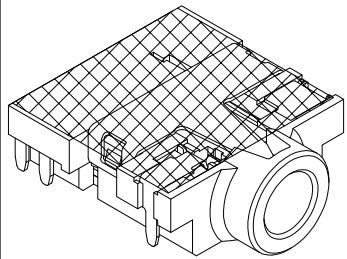
E

D

C

B

A

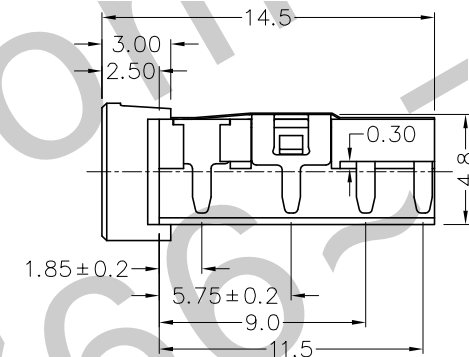
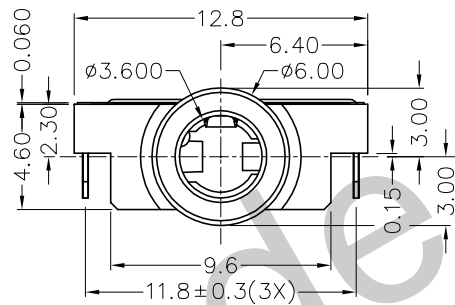
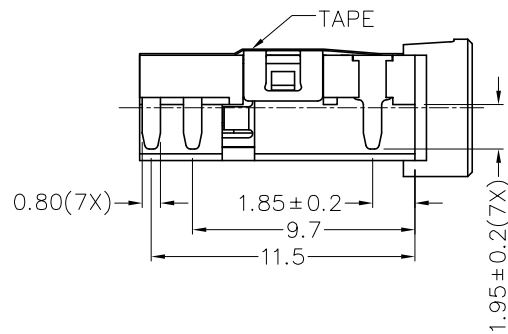


RoHS
Compliant

ZONE	SYMBOL	REVISION	APPROVAL	DATE

1

1



2

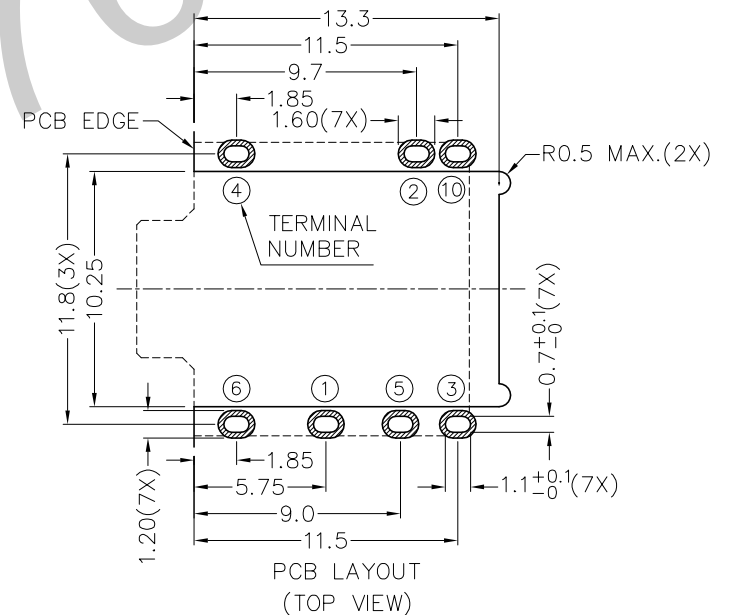
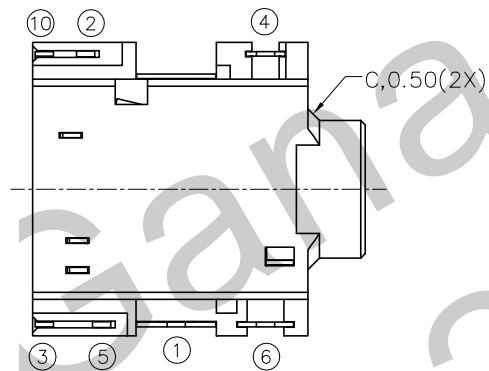
2

* MATERIAL

TERMINAL 1 : COPPER ALLOY
 TERMINAL 2 : COPPER ALLOY
 TERMINAL 3 : COPPER ALLOY
 TERMINAL 4 : COPPER ALLOY
 TERMINAL 5 : COPPER ALLOY
 TERMINAL 6 : COPPER ALLOY
 TERMINAL 10 : COPPER ALLOY
 HOUSING : PA6T
 TAPE : POLYIMIDE

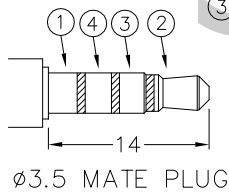
3

3



4

4



MODEL NO.	TSH-5157DT1
SCHEMATIC	



TECHNIK INDUSTRIAL CO.LTD.

DESIGN	H.L.TAN	DATE	12-5-2011	SCALE	3:1
DRAWING	H.L.TAN	DATE	12-5-2011	MATERIAL	*
CHECK		DATE		DWG. NO.	TZ\SH515DT1-PA6T/A
APPROVAL		DATE		SHEET	

PART NAME 3.5mm SMD STEREO JACK

TOLERANCE UNLESS 0.0±0.2

UNIT: mm

PART NO. TSH-515DT1

OTHERWISE SPECIFIED: 0.00±0.1
0.000±0.05



F

E

D

C

B

A