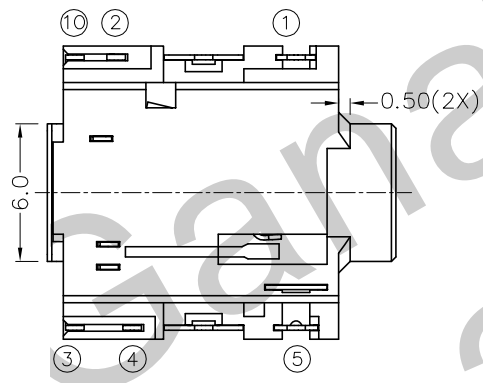
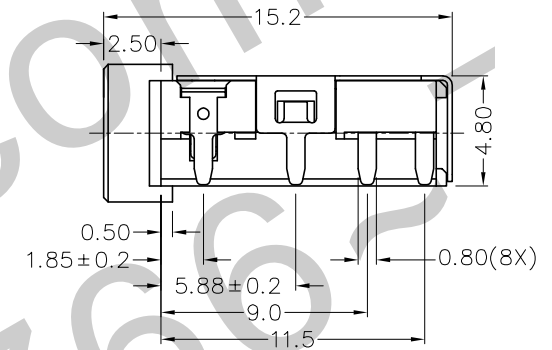
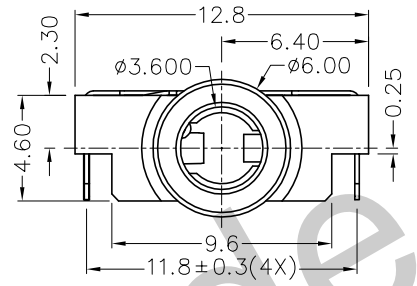
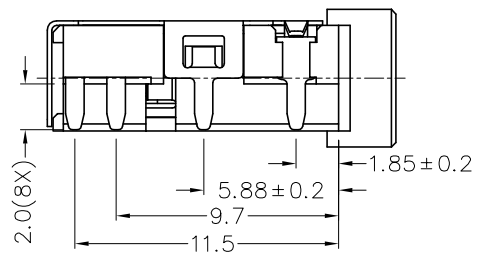


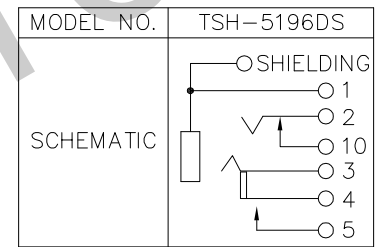
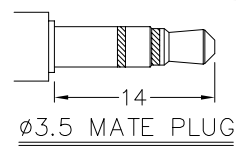
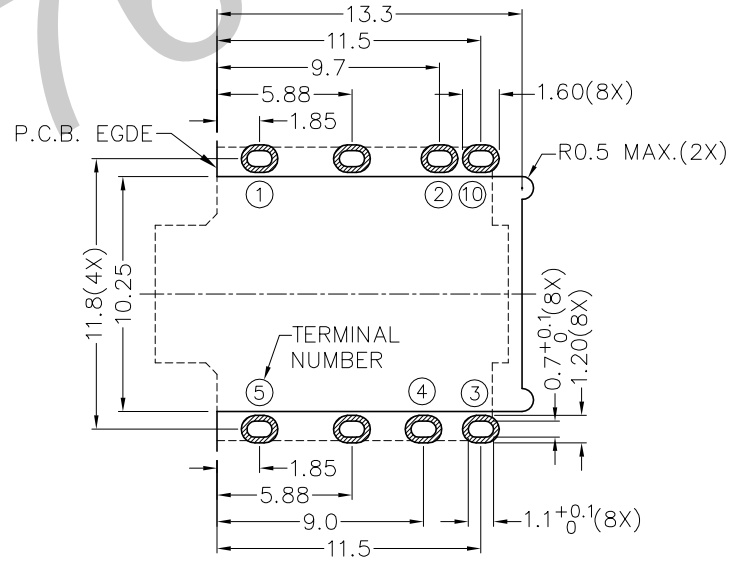
RoHS
Compliant

ZONE	SYMBOL	REVISION	APPROVAL	DATE



* MATERIAL

- TERMINAL 1 : COPPER ALLOY
- TERMINAL 2 : COPPER ALLOY
- TERMINAL 3 : COPPER ALLOY
- TERMINAL 4 : COPPER ALLOY
- TERMINAL 5 : COPPER ALLOY
- TERMINAL 10 : COPPER ALLOY
- SHIELD : COPPER ALLOY
- HOUSING : PA6T



TECHNIK INDUSTRIAL CO. LTD.

PART NAME	3.5mm SMD STEREO JACK	TOLERANCE UNLESS 0.0±0.2 0.00±0.1 OTHERWISE SPECIFIED: 0.000±0.05	UNIT: mm	DESIGN	H.L.TAN	DATE	12-5-2011	SCALE	3:1
				DRAWING	H.L.TAN	DATE	12-5-2011	MATERIAL	*
PART NO.	TSH-519DS			CHECK		DATE		DWG. NO.	TZ\SH519DS-PA6T/A
				APPROVAL		DATE		SHEET	