

F

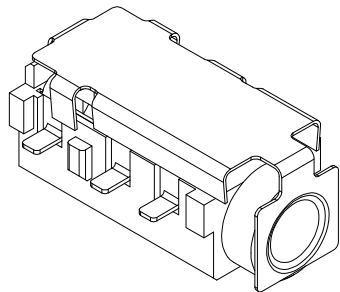
E

D

C

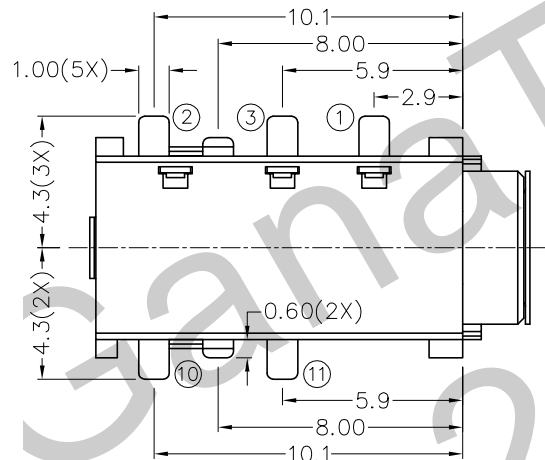
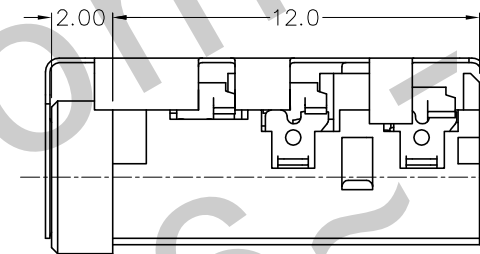
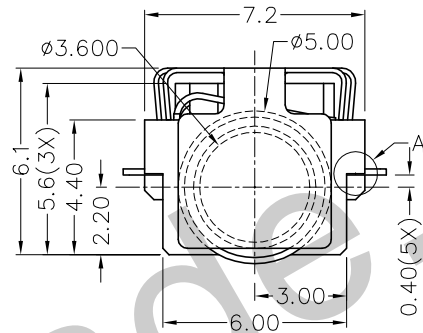
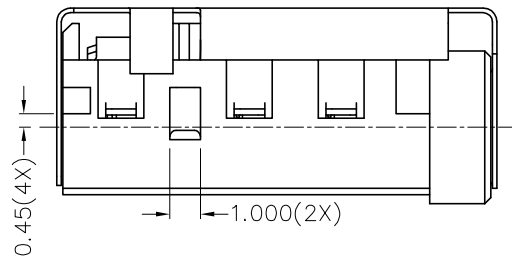
B

A



RoHS  
Compliant

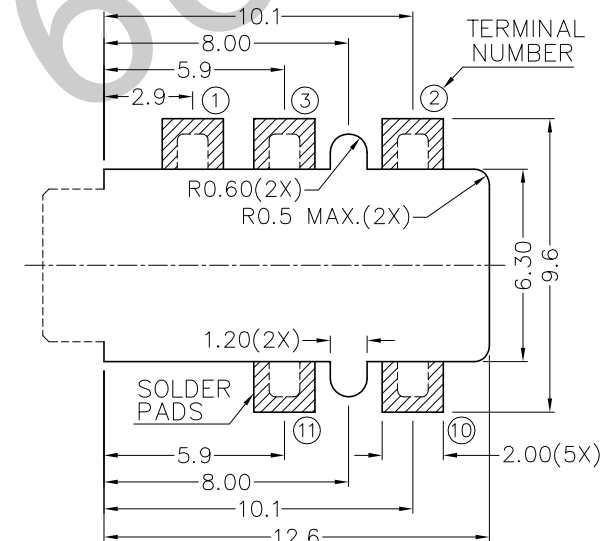
ZONE	SYMBOL	REVISION	APPROVAL	DATE



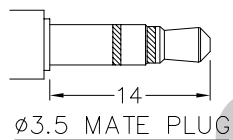
A DETAIL COPLANARITY

\* MATERIAL

TERMINAL 1 : COPPER ALLOY  
 TERMINAL 2 : COPPER ALLOY  
 TERMINAL 3 : COPPER ALLOY  
 TERMINAL 10 : COPPER ALLOY  
 TERMINAL 11 : COPPER ALLOY  
 SHIELD : STAINLESS STEEL  
 HOUSING : PA6T



RECOMMENDED  
SOLDER PAD LAYOUT  
(TOP VIEW)



14  
ø3.5 MATE PLUG

MODEL NO.	TSH-5215DS1
SCHEMATIC	



TECHNIK INDUSTRIAL CO. LTD.

DESIGN	G.P.YI	DATE	27-9-2009	SCALE	4:1
DRAWING	G.P.YI	DATE	27-9-2009	MATERIAL	*
CHECK		DATE		DWG. NO.	TZ\SH521DS1-PA6T/A
APPROVAL		DATE		SHEET	

PART NAME	3.5mm SMD STEREO JACK W/HANDING SHIELD
PART NO.	TSH-521DS1

TOLERANCE UNLESS	0.0±0.2
OTHERWISE SPECIFIED:	0.00±0.1
UNIT:	mm



F

E

D

C

B

A