

F

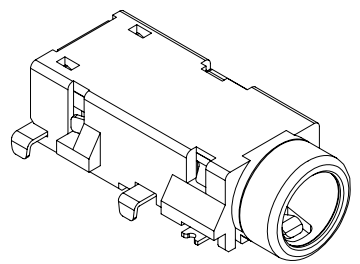
E

D

C

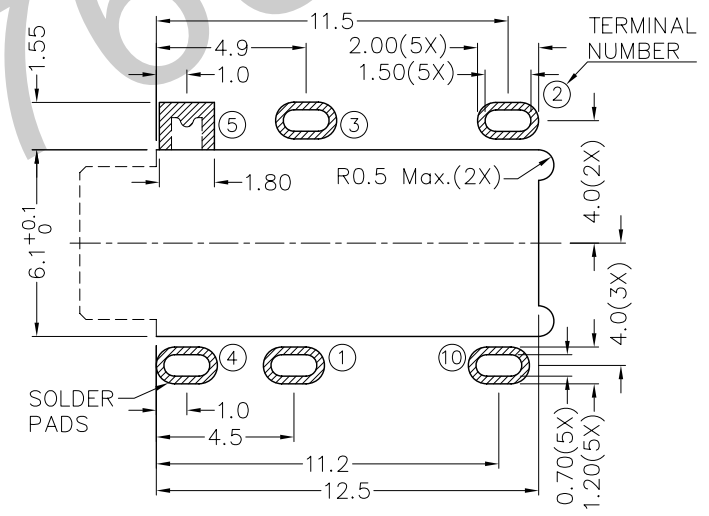
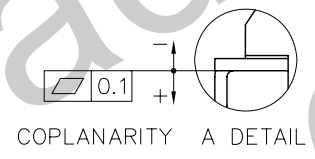
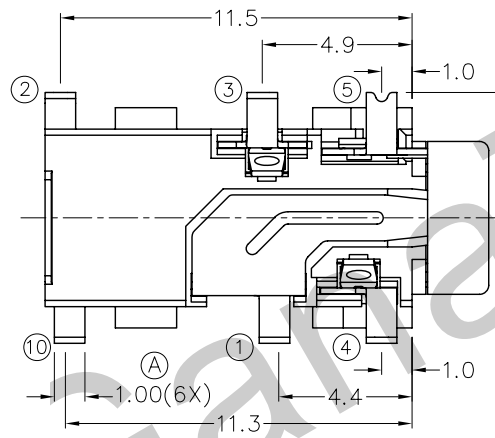
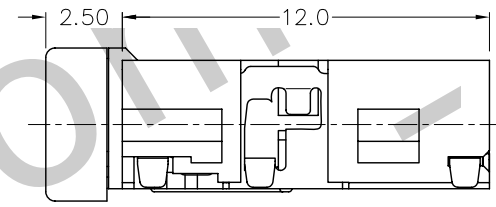
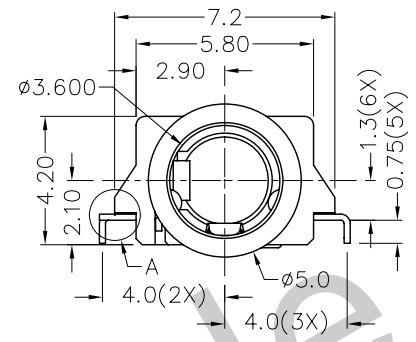
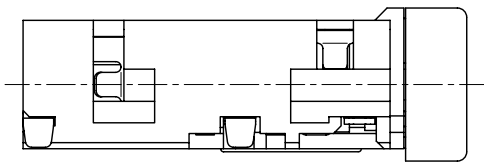
B

A

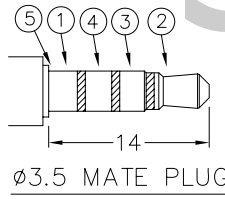


RoHS  
Compliant

ZONE	SYMBOL	REVISION	APPROVAL	DATE
F3	Ⓐ	ADD DIM.	J.X.KUANG	15-8-2012



- \* MATERIAL
- TERMINAL 1 : COPPER ALLOY
  - TERMINAL 2 : COPPER ALLOY
  - TERMINAL 3 : COPPER ALLOY
  - TERMINAL 4 : COPPER ALLOY
  - TERMINAL 5 : STAINLESS STEEL
  - TERMINAL 10 : COPPER ALLOY
  - BUSHING : BRASS
  - HOUSING : PA6T



MODEL NO.	TSH-5346D
SCHEMATIC	○ 1
	○ 4
	○ 3
	○ 10
	○ 2
	○ 5



TECHNIK INDUSTRIAL CO.LTD.

DESIGN	T.Y.LI	DATE	3-3-2011	SCALE	4:1
DRAWING	T.Y.LI	DATE	15-8-2012	MATERIAL	*
CHECK		DATE		DWG. NO.	TZ\SH534D-PA6T/B
APPROVAL		DATE		SHEET	

PART NAME	3.5mm SMD STEREO JACK	TOLERANCE UNLESS	0.0±0.2	UNIT:	mm
PART NO.	TSH-534D	OTHERWISE SPECIFIED:	0.00±0.1 0.000±0.05		

F

E

D

C

B

A