

F

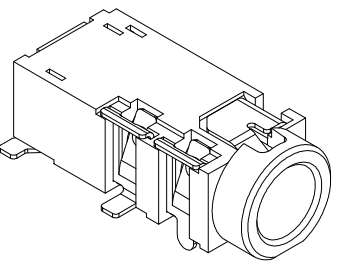
E

D

C

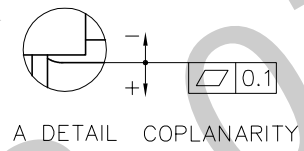
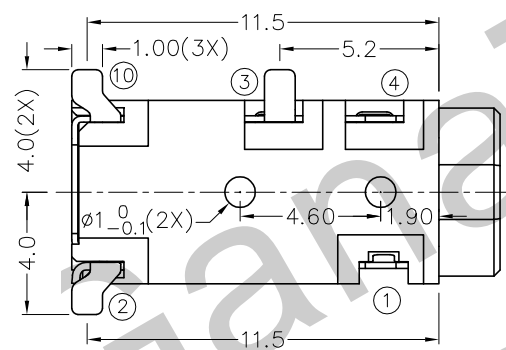
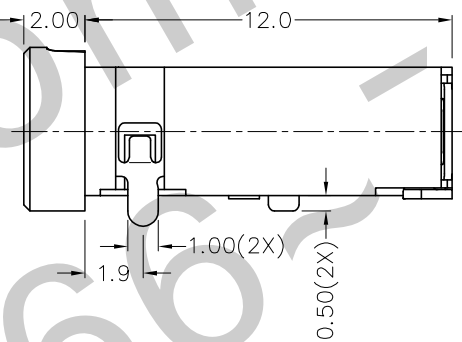
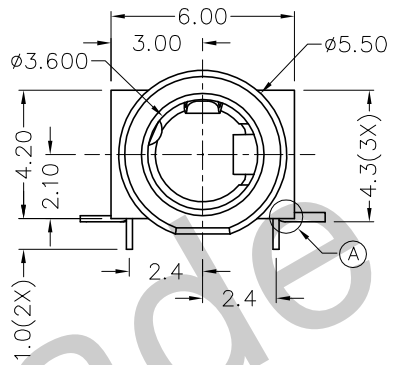
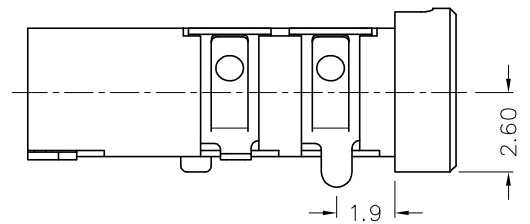
B

A

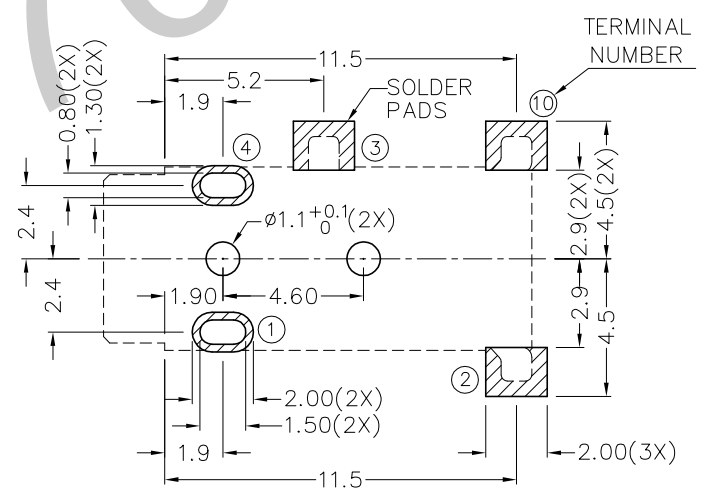


RoHS
Compliant

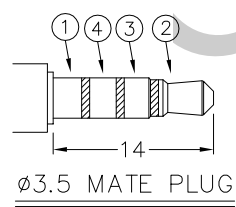
ZONE	SYMBOL	REVISION	APPROVAL	DATE



* MATERIAL
 TERMINAL 1 : COPPER ALLOY
 TERMINAL 2 : COPPER ALLOY
 TERMINAL 3 : COPPER ALLOY
 TERMINAL 4 : COPPER ALLOY
 TERMINAL 10 : COPPER ALLOY
 HOUSING : PA6T



RECOMMENDED
SOLDER PAD LAYOUT
(TOP VIEW)



MODEL NO.	TSH-5365D-2
SCHEMATIC	



TECHNIK INDUSTRIAL CO. LTD.

PART NAME	3.5mm SMD STEREO JACK	TOLERANCE UNLESS 0.0±0.2 0.00±0.1 OTHERWISE SPECIFIED: 0.000±0.05	UNIT: mm	DESIGN	G.P. YI	DATE	9-6-2011	SCALE	4:1
				DRAWING	G.P. YI	DATE	9-6-2011	MATERIAL	*
PART NO.	TSH-536D-2			CHECK		DATE		DWG. NO.	TZ\SH536D-2-PA6T/A
				APPROVAL		DATE		SHEET	

F

E

D

C

B

A