

F

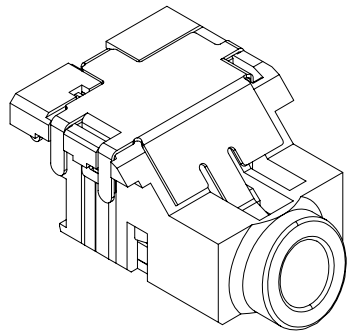
E

D

C

B

A

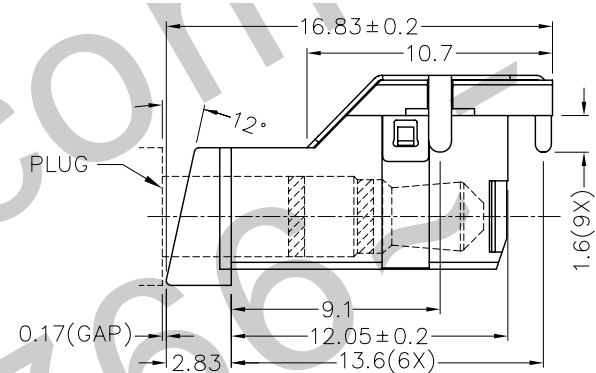
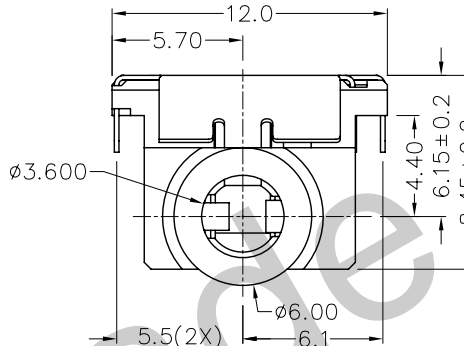
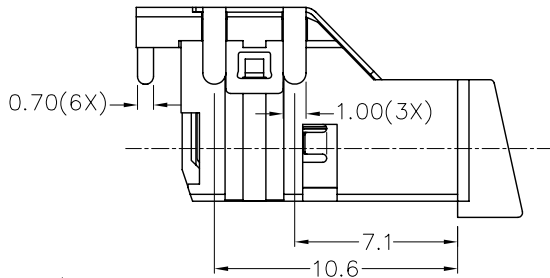


RoHS
Compliant

ZONE	SYMBOL	REVISION	APPROVAL	DATE

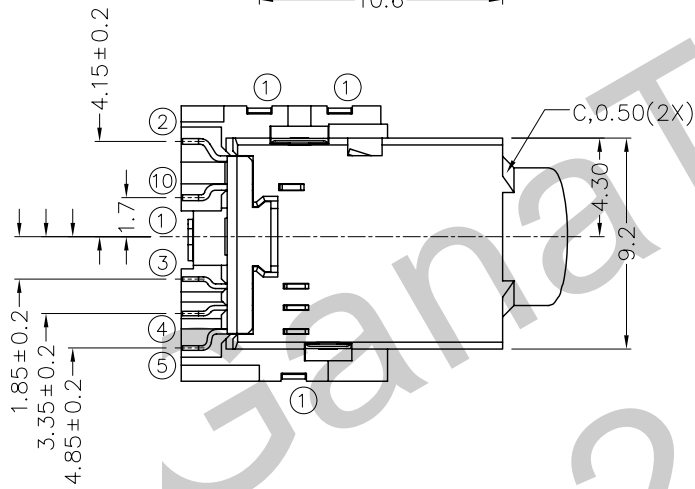
1

1



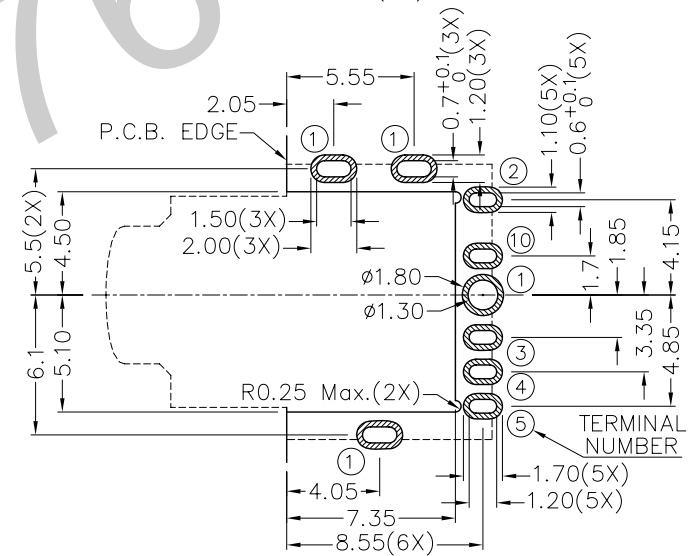
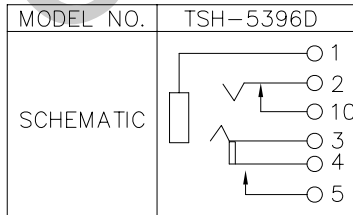
2

2



* MATERIAL

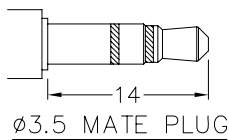
- TERMINAL 1 : COPPER ALLOY
- TERMINAL 2 : COPPER ALLOY
- TERMINAL 3 : COPPER ALLOY
- TERMINAL 4 : COPPER ALLOY
- TERMINAL 5 : COPPER ALLOY
- TERMINAL 10 : BRASS
- HOUSING : PA6T



PCB LAYOUT
(TOP VIEW)

3

3



4

4



TECHNIK INDUSTRIAL CO.LTD.

PART NAME 3.5mm SMD STEREO JACK
PART NO. TSH-539D

TOLERANCE UNLESS 0.0±0.2
OTHERWISE SPECIFIED: 0.00±0.1
0.00±0.05

UNIT: mm

DESIGN	G.P.YI	DATE	17-9-2011	SCALE	3:1
DRAWING	G.P.YI	DATE	14-10-2011	MATERIAL	*
CHECK		DATE		DWG. NO.	TZ\SH539D-PA6T/A
APPROVAL		DATE		SHEET	

F

E

D

C

B

A