

F

E

D

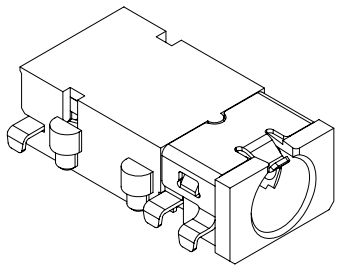
C

B

A

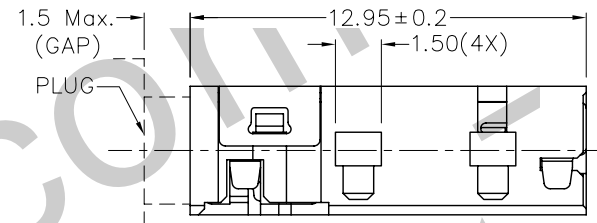
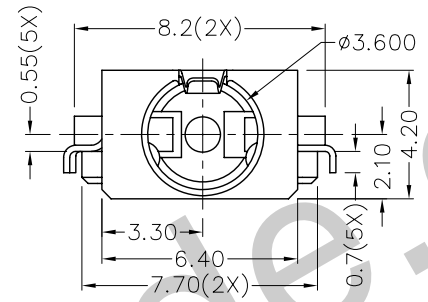
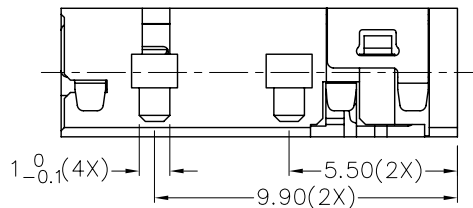
RoHS
Compliant

ZONE	SYMBOL	REVISION	APPROVAL	DATE



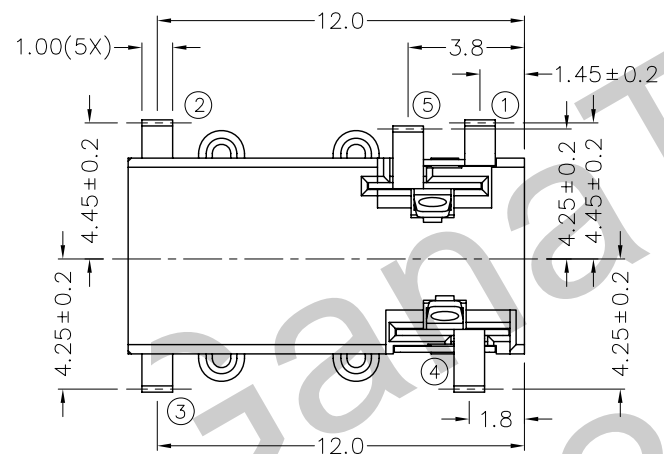
1

1



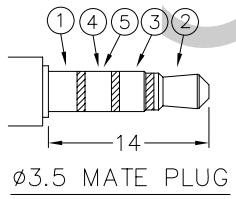
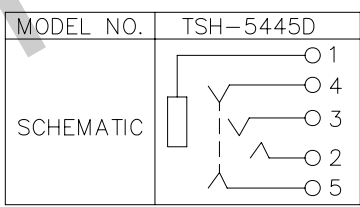
2

2



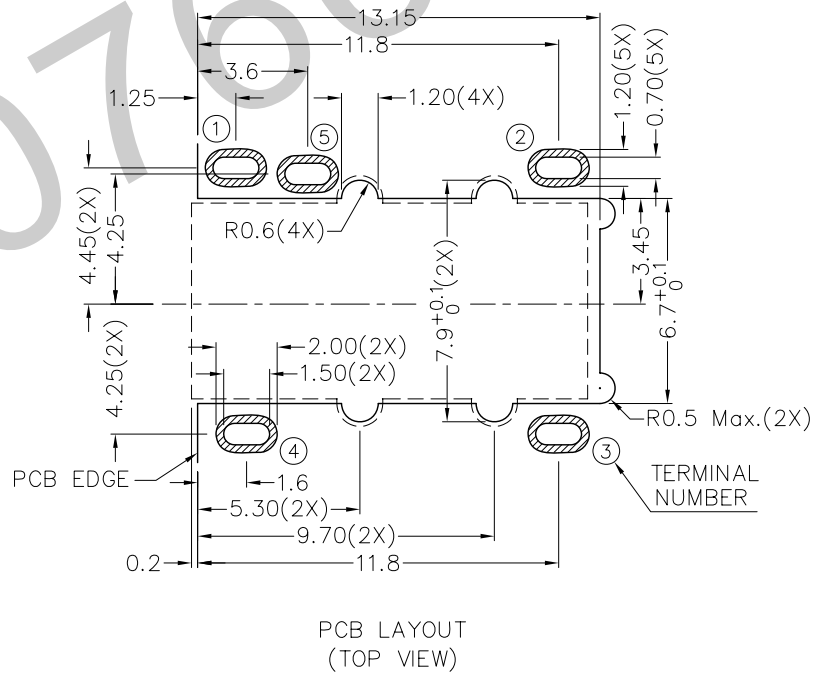
* MATERIAL

- TERMINAL 1 : COPPER ALLOY
- TERMINAL 2 : COPPER ALLOY
- TERMINAL 3 : COPPER ALLOY
- TERMINAL 4 : COPPER ALLOY
- TERMINAL 5 : COPPER ALLOY
- HOUSING : PA6T



4

4



PCB LAYOUT (TOP VIEW)



TECHNIK INDUSTRIAL CO. LTD.

PART NAME	3.5mm SMD STEREO JACK	TOLERANCE UNLESS	0.0 \pm 0.2	UNIT:	mm
PART NO.	TSH-544D	OTHERWISE SPECIFIED:	0.00 \pm 0.1 0.000 \pm 0.05		

DESIGN	G.P. YI	DATE	14-10-2011	SCALE	4:1
DRAWING	G.P. YI	DATE	1-11-2011	MATERIAL	*
CHECK		DATE		DWG. NO.	TZ\SH544D-PA6T/A
APPROVAL		DATE		SHEET	

F

E

D

C

B

A