

F

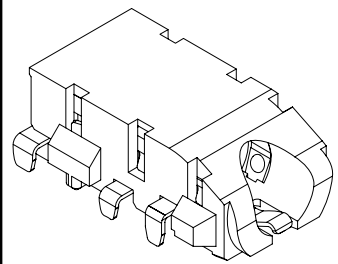
E

D

C

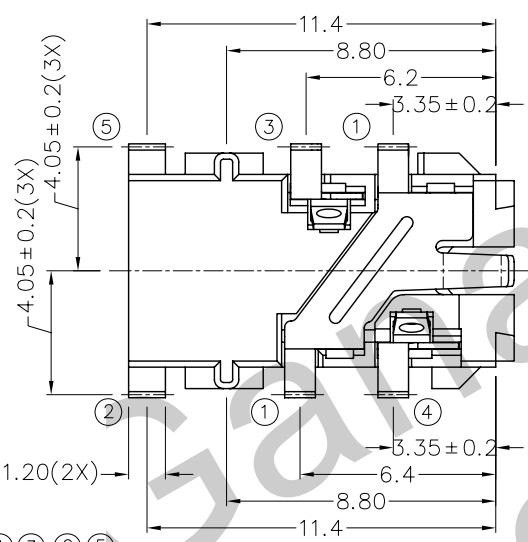
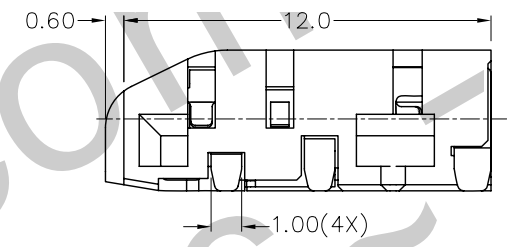
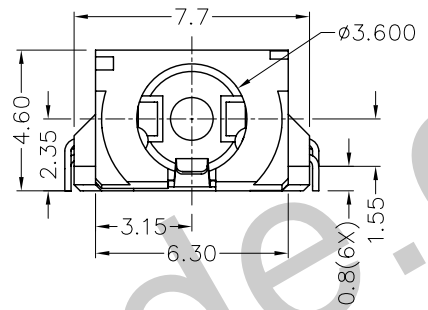
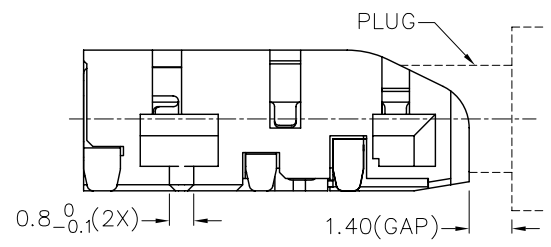
B

A

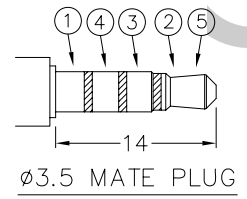
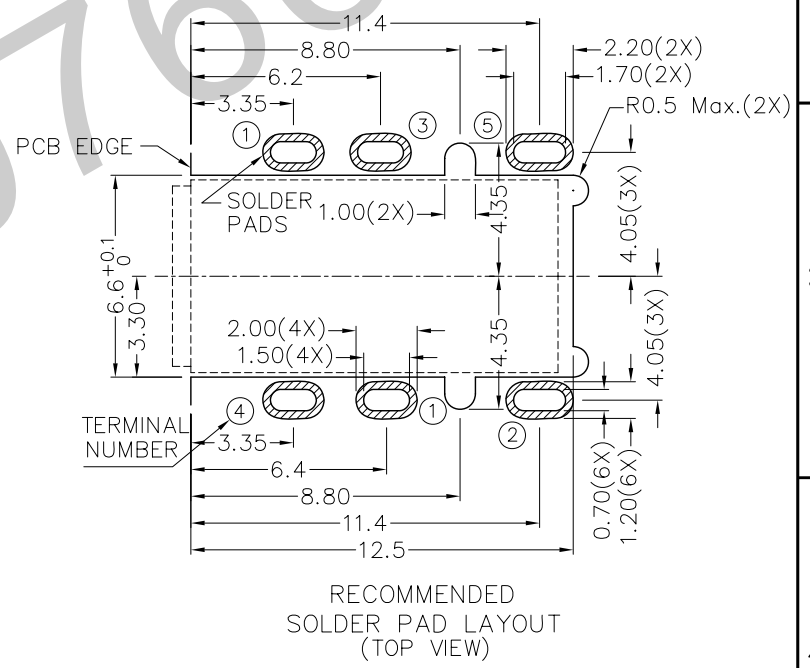
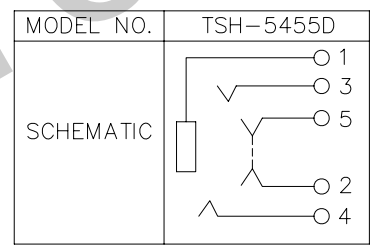


RoHS
Compliant

ZONE	SYMBOL	REVISION	APPROVAL	DATE



* MATERIAL
 TERMINAL 1 : COPPER ALLOY
 TERMINAL 2 : COPPER ALLOY
 TERMINAL 3 : COPPER ALLOY
 TERMINAL 4 : COPPER ALLOY
 TERMINAL 5 : COPPER ALLOY
 HOUSING : PA6T



TECHNIK INDUSTRIAL CO. LTD.

DESIGN	H.L.TAN	DATE	7-4-2012	SCALE	4:1
DRAWING	H.L.TAN	DATE	13-4-2012	MATERIAL	*
CHECK		DATE		DWG. NO.	TZ\SH5455D-PA6T/A
APPROVAL		DATE		SHEET	

PART NAME	3.5mm SMD STEREO JACK	TOLERANCE UNLESS	0.0±0.2	UNIT:	mm
PART NO.	TSH-545D	OTHERWISE SPECIFIED:	0.00±0.1 0.000±0.05		

F

E

D

C

B

A