

F

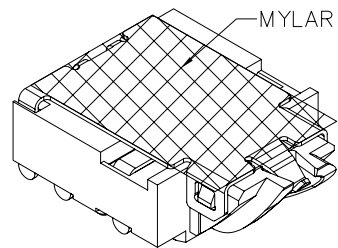
E

D

C

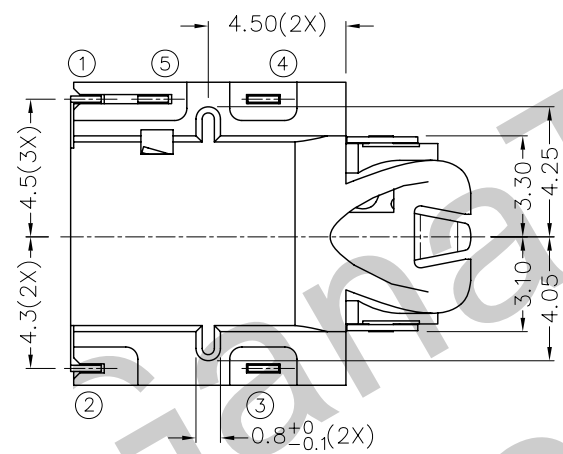
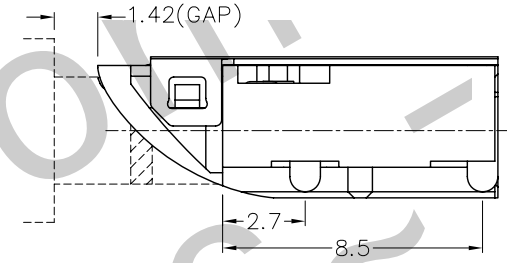
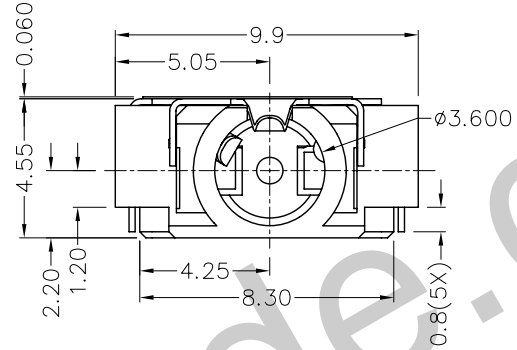
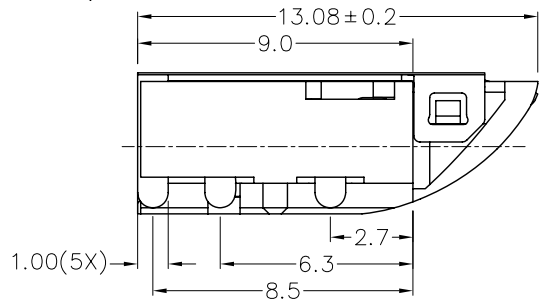
B

A



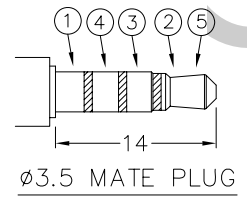
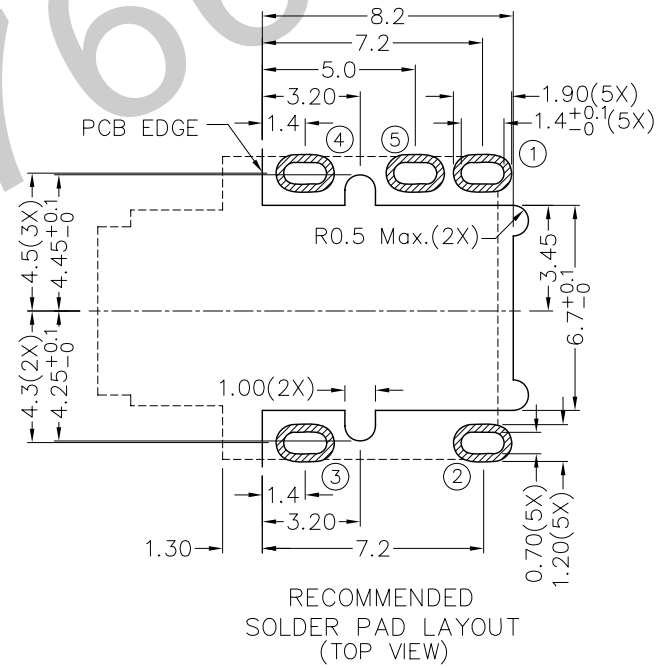
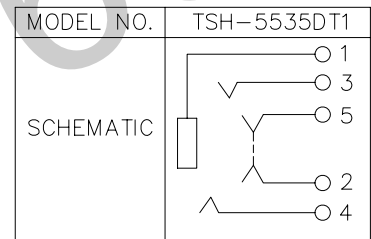
RoHS
Compliant

ZONE	SYMBOL	REVISION	APPROVAL	DATE



* MATERIAL

- TERMINAL 1 : COPPER ALLOY
- TERMINAL 2 : COPPER ALLOY
- TERMINAL 3 : COPPER ALLOY
- TERMINAL 4 : COPPER ALLOY
- TERMINAL 5 : COPPER ALLOY
- MYLAR : POLYIMIDE
- HOUSING : PA6T



TECHNIK INDUSTRIAL CO. LTD.

PART NAME	3.5mm SMD STEREO JACK	TOLERANCE UNLESS 0.0±0.2 0.00±0.1 OTHERWISE SPECIFIED: 0.000±0.05	UNIT: mm	DESIGN	CH.XIONG	DATE	6-8-2012	SCALE	4:1
					DRAWING	CH.XIONG	DATE	29-8-2012	MATERIAL
PART NO.	TSH-553DT1			CHECK		DATE		DWG. NO.	TZ\SH553DT1-PA6T/A
				APPROVAL		DATE		SHEET	

F

E

D

C

B

A