

F

E

D

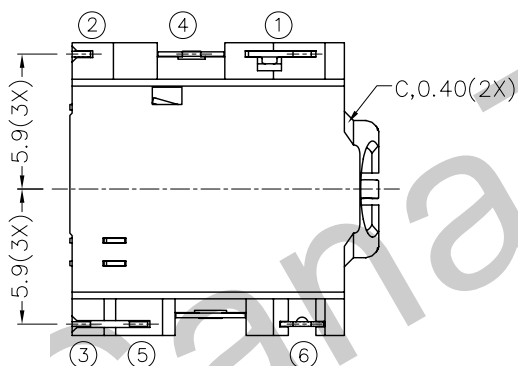
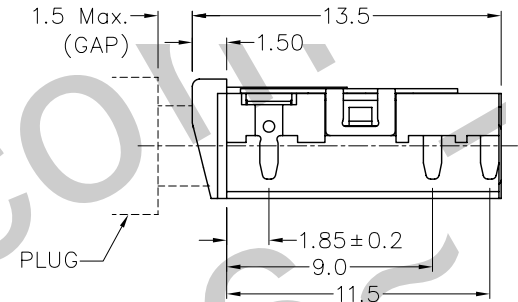
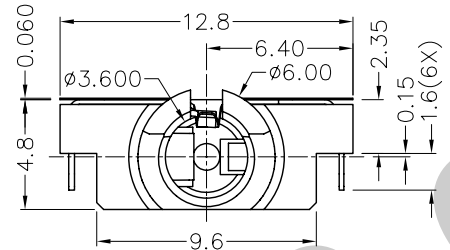
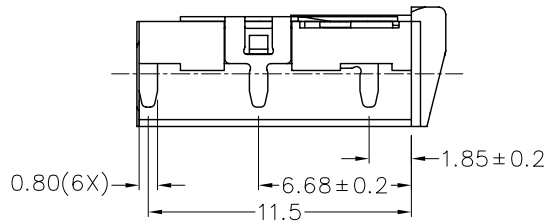
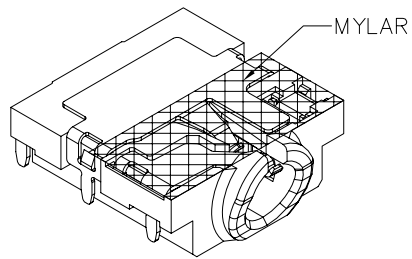
C

B

A

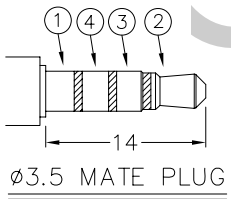
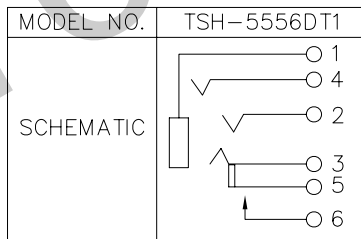
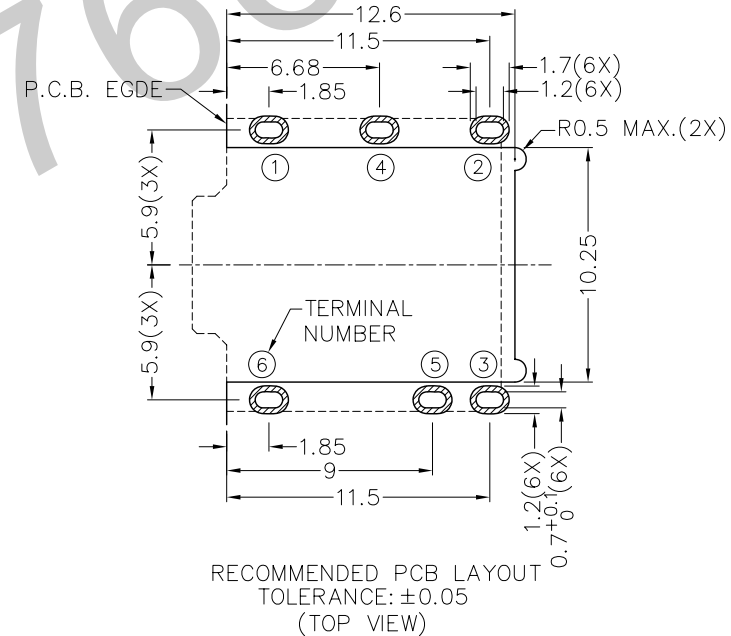
RoHS
Compliant

| ZONE | SYMBOL | REVISION | APPROVAL | DATE |
|------|--------|----------|----------|------|
| | | | | |
| | | | | |
| | | | | |



* MATERIAL

- TERMINAL 1 : COPPER ALLOY
- TERMINAL 2 : COPPER ALLOY
- TERMINAL 3 : COPPER ALLOY
- TERMINAL 4 : COPPER ALLOY
- TERMINAL 5 : COPPER ALLOY
- TERMINAL 6 : COPPER ALLOY
- HOUSING : PA6T
- MYLAR : POLYIMIDE



TECHNIK INDUSTRIAL CO.LTD.

| | | | | | |
|----------|----------|------|------------|----------|--------------------|
| DESIGN | H.L.TAN | DATE | 14-8-2012 | SCALE | 3:1 |
| DRAWING | CH.XIONG | DATE | 13-11-2012 | MATERIAL | * |
| CHECK | | DATE | | DWG. NO. | TZ\SH555DT1-PA6T/A |
| APPROVAL | | DATE | | SHEET | |

| | | | | | |
|-----------|-----------------------|----------------------|------------------------|-------|----|
| PART NAME | 3.5mm SMD STEREO JACK | TOLERANCE UNLESS | 0.0±0.2 | UNIT: | mm |
| PART NO. | TSH-555DT1 | OTHERWISE SPECIFIED: | 0.00±0.1 0.000±0.05 | | |

F

E

D

C

B

A