

F

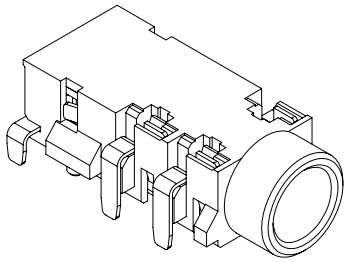
E

D

C

B

A

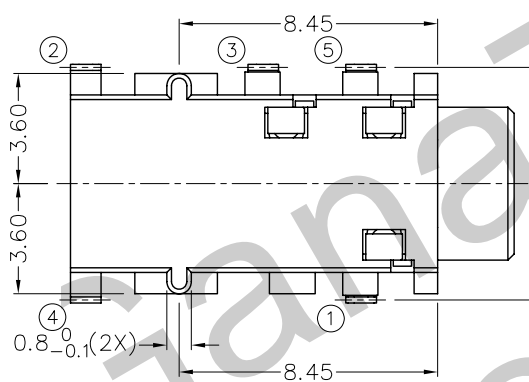
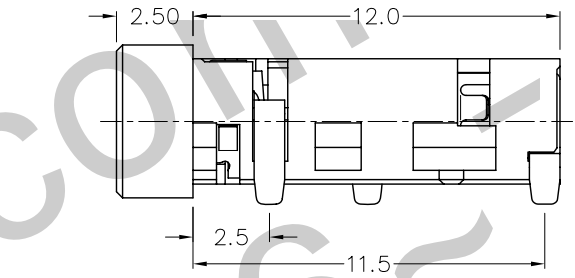
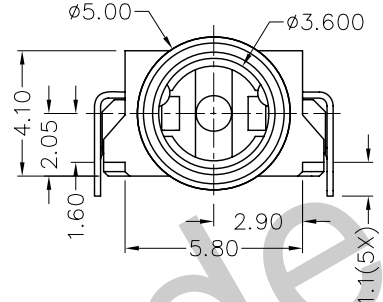
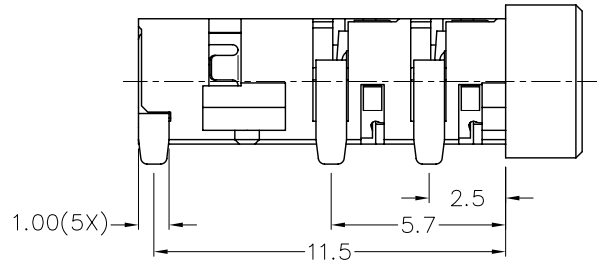


RoHS
Compliant

ZONE	SYMBOL	REVISION	APPROVAL	DATE

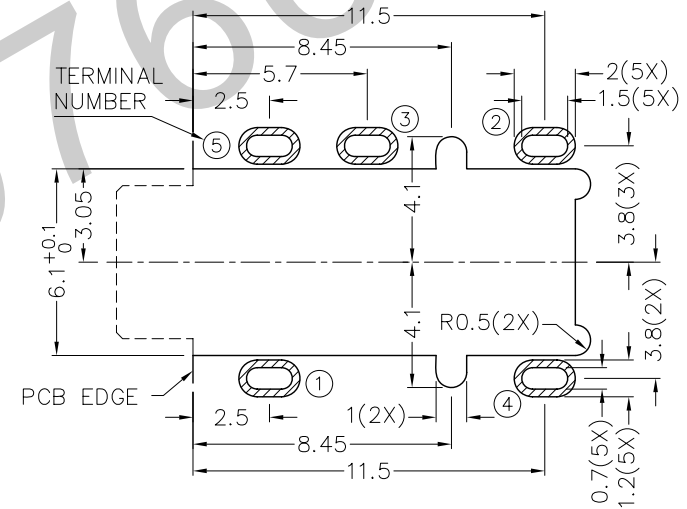
1

1

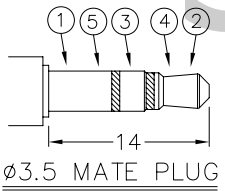
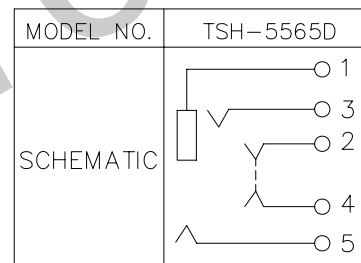


* MATERIAL

- TERMINAL 1 : COPPER ALLOY
- TERMINAL 2 : COPPER ALLOY
- TERMINAL 3 : COPPER ALLOY
- TERMINAL 4 : COPPER ALLOY
- TERMINAL 5 : COPPER ALLOY
- HOUSING : PA6T



RECOMMENDED PCB LAYOUT
TOLERANCE: ±0.05
(TOP VIEW)



3

3

4

4



TECHNIK INDUSTRIAL CO. LTD.

PART NAME	3.5mm SMD STEREO JACK	TOLERANCE UNLESS	0.0±0.2	UNIT:	mm
PART NO.	TSH-556D	OTHERWISE SPECIFIED:	0.00±0.1 0.000±0.05		

DESIGN	CH.XIONG	DATE	26-9-2012	SCALE	4:1
DRAWING	CH.XIONG	DATE	17-10-2012	MATERIAL	*
CHECK		DATE		DWG. NO.	TZ\SH556D-PA6T/A
APPROVAL		DATE		SHEET	

F

E

D

C

B

A